



# Installation instructions, accessories

Volvo Car Corporation Gothenburg, Sweden

Instruction No	Version	Part. No.
31373468	1.1	31373081

## Parking assistance, front



# Installation instructions, accessories

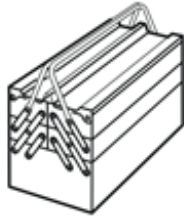
Volvo Car Corporation Gothenburg, Sweden

## Materials

Designation	Part number
Electrical tape	

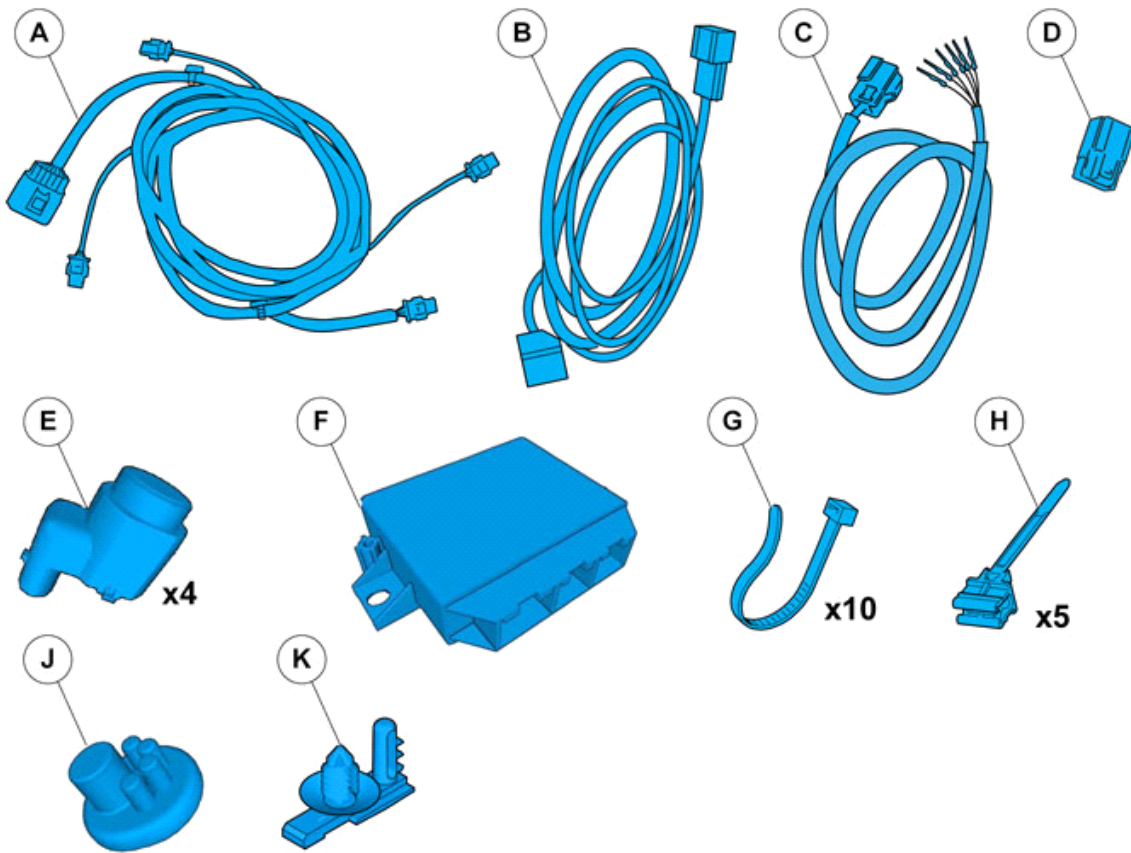
## Equipment

# VIDA



IMG-242205

A0000162

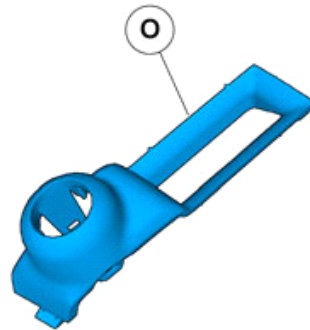
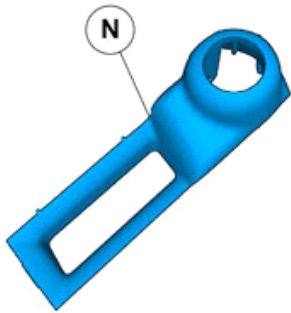
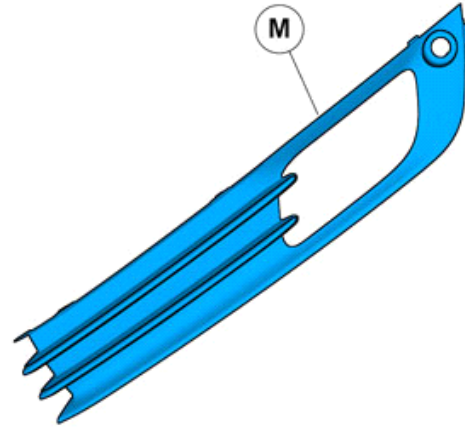
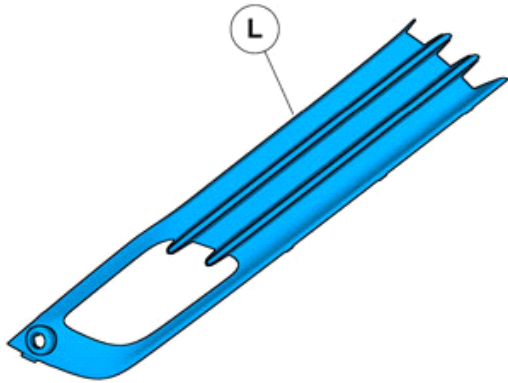


IMG-379943



# Installation instructions, accessories

Volvo Car Corporation Gothenburg, Sweden



IMG-378486



# Installation instructions, accessories

Volvo Car Corporation Gothenburg, Sweden

## Information

1

Read through all of the instructions before starting installation.

Notifications and warning texts are for your safety and to minimise the risk of something breaking during installation.

Ensure that all tools stated in the instructions are available before starting installation.

Certain steps in the instructions are only presented in the form of images. Explanatory text is also given for more complicated steps.

In the event of any problems with the instructions or the accessory, contact your local Volvo dealer.

## Further information

2

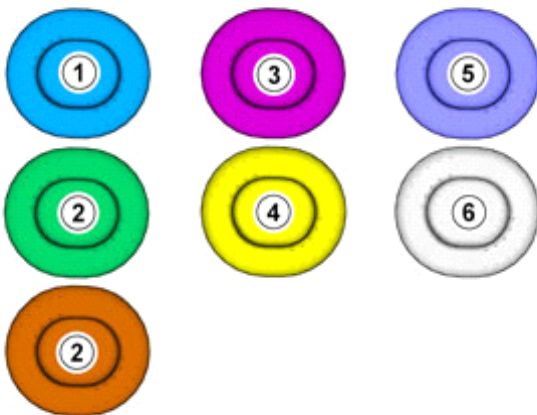
These installation instructions show installation on left hand drive cars.

When installing on right-hand drive cars, perform the procedures on the opposite side and/or mirrored.

Where the procedure differs, the right-hand version is also shown with text and image.

## Color symbols

3



IMG-363036

### Note!

This colour chart displays (in colour print and electronic version) the importance of the different colours used in the images of the method steps.

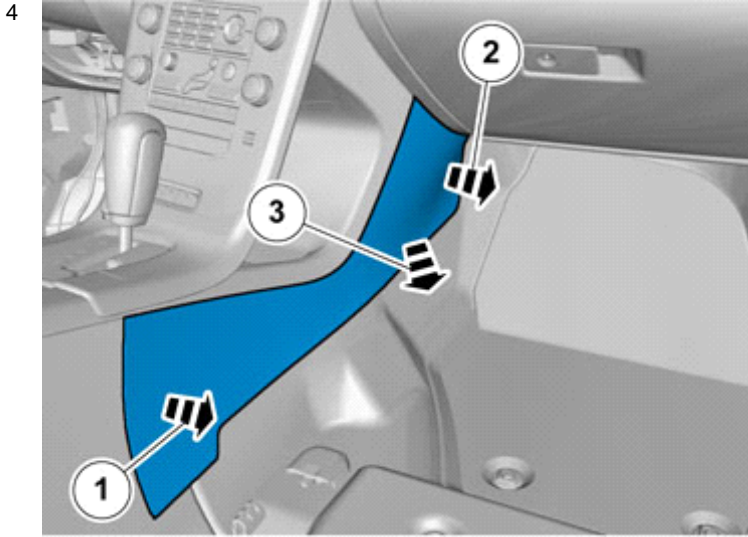
1. Used for focused component, the component with which you will do something.
2. Used as extra colors when you need to show or differentiate additional parts.
3. Used for attachments that are to be removed/installed. May be screws, clips, connectors, etc.
4. Used when the component is not fully removed from the vehicle but only hung to the side.
5. Used for standard tools and special tools.
6. Used as background color for vehicle components.



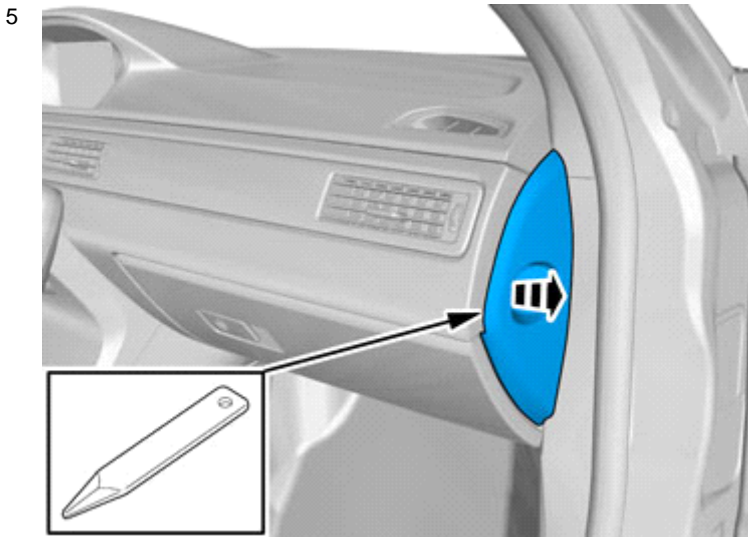
# Installation instructions, accessories

Volvo Car Corporation Gothenburg, Sweden

## Removal



IMG-292826



Remove the panel.

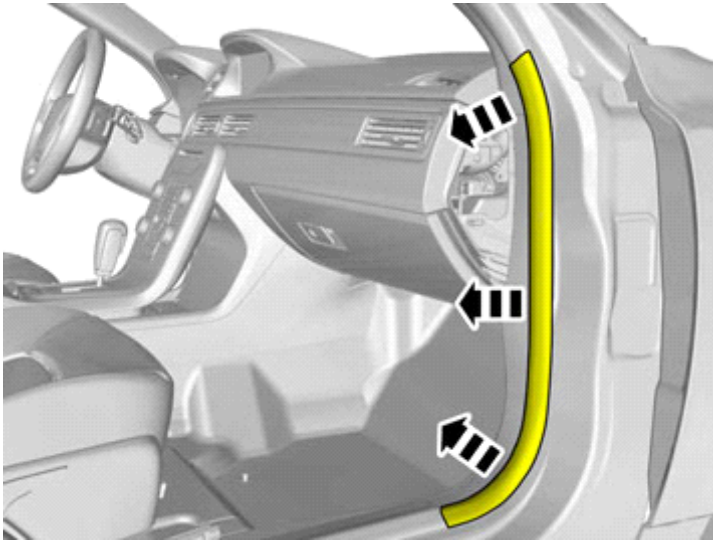
IMG-354313



# Installation instructions, accessories

Volvo Car Corporation Gothenburg, Sweden

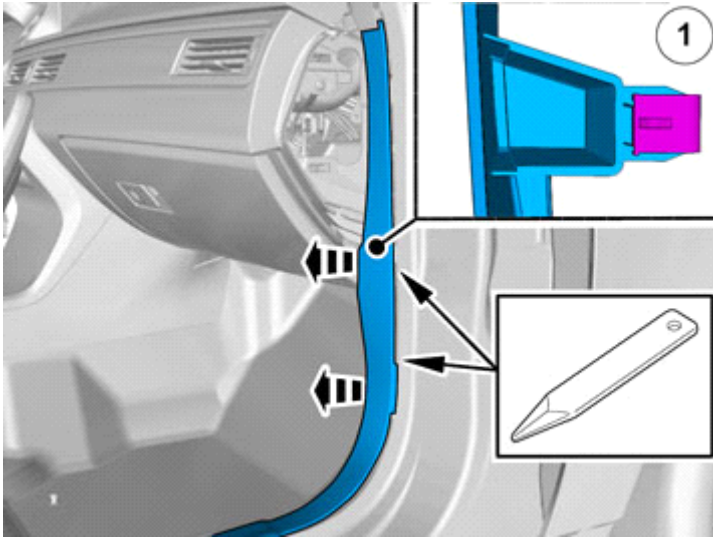
6



IMG-354315

Remove the weatherstrip.

7

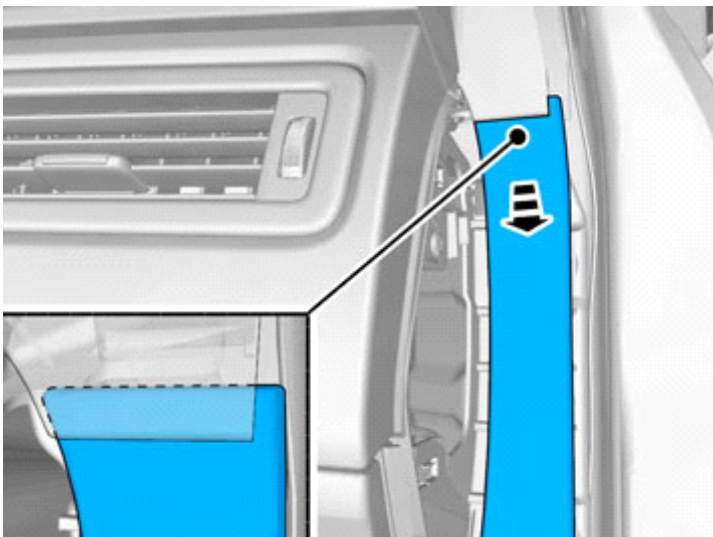


IMG-354318

**Caution!**

The front and upper sill panel must be removed and installed as one unit.

8



IMG-354319

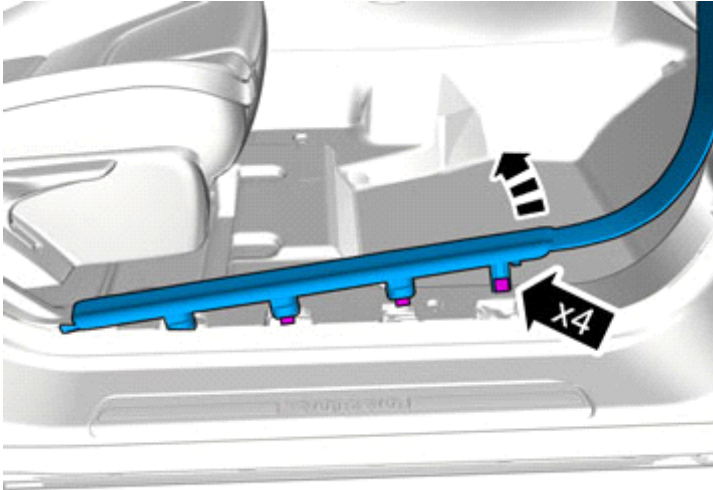
Detach the panel.



# Installation instructions, accessories

Volvo Car Corporation Gothenburg, Sweden

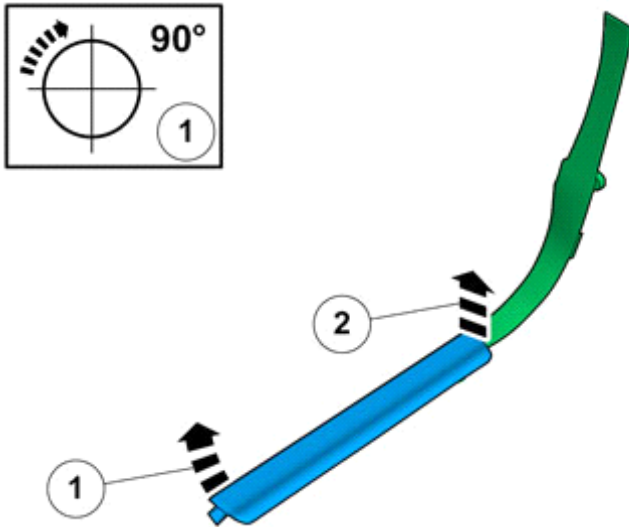
9



Remove the panel.

IMG-344930

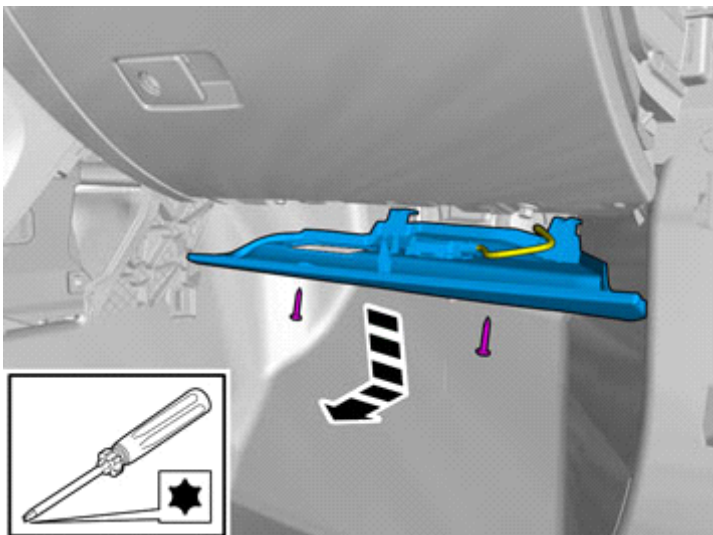
10



Remove the panel.

IMG-354320

11



Remove the screws.

Detach the panel.

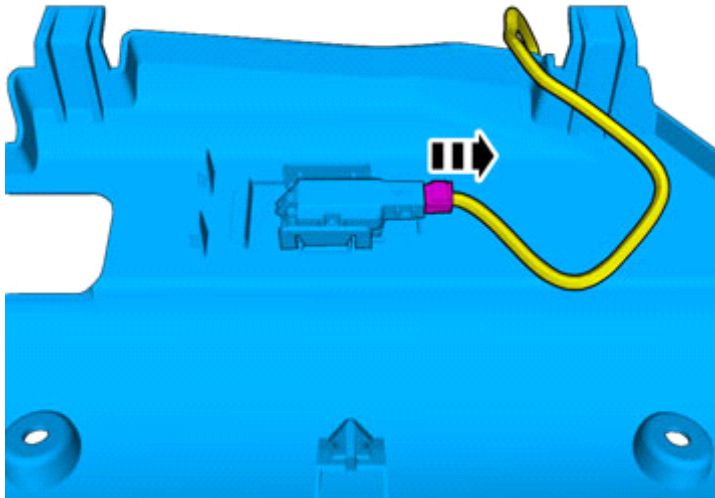
IMG-355521



# Installation instructions, accessories

Volvo Car Corporation Gothenburg, Sweden

12

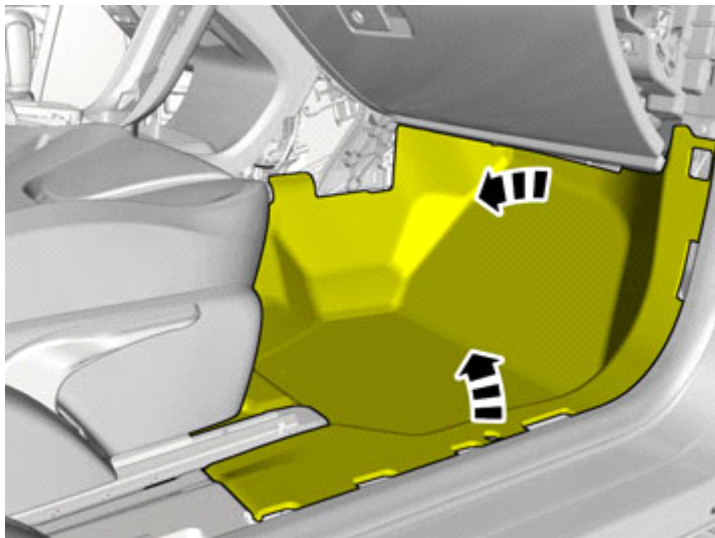


IMG-355519

Disconnect the connector.

Remove the panel.

13



IMG-352187

Fold the carpet to the side.

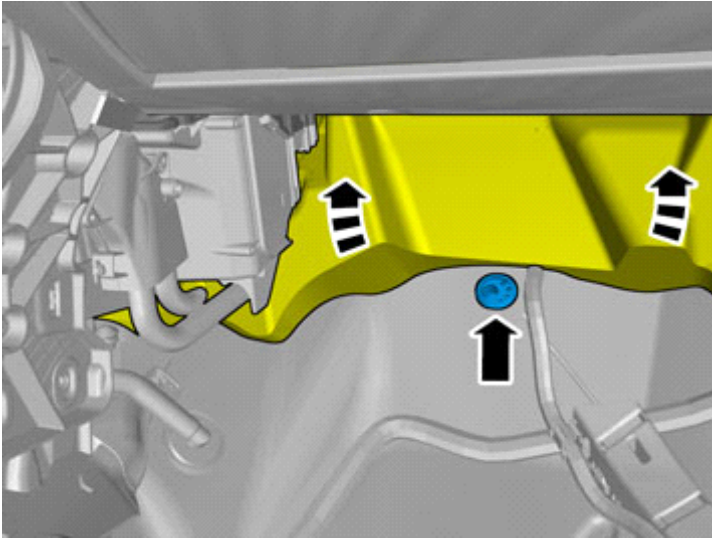




# Installation instructions, accessories

Volvo Car Corporation Gothenburg, Sweden

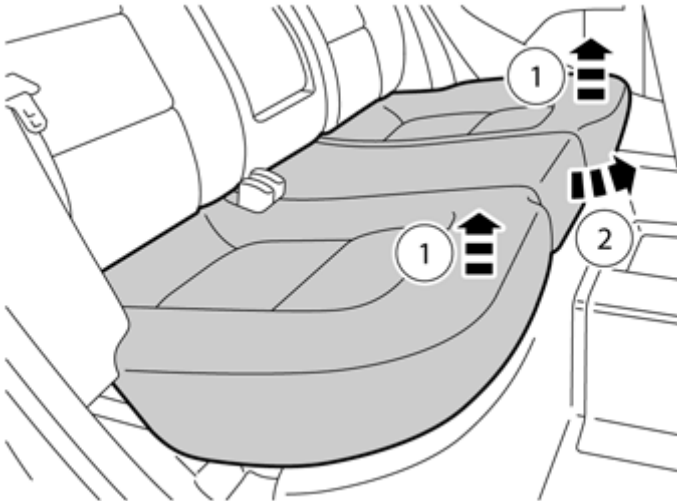
14



IMG-353339

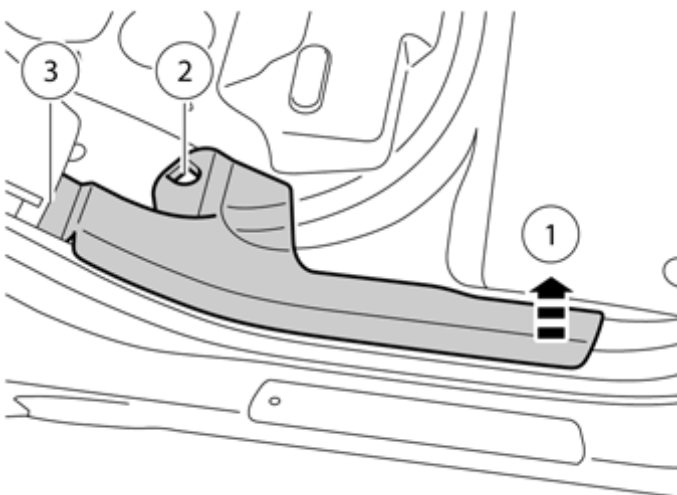
Locate the rubber grommet under the insulation and press it out.

15



IMG-249173

16



IMG-249174

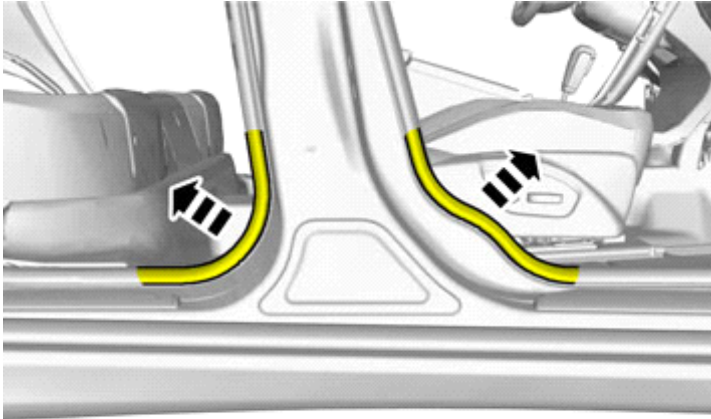
Remove the panel.



# Installation instructions, accessories

Volvo Car Corporation Gothenburg, Sweden

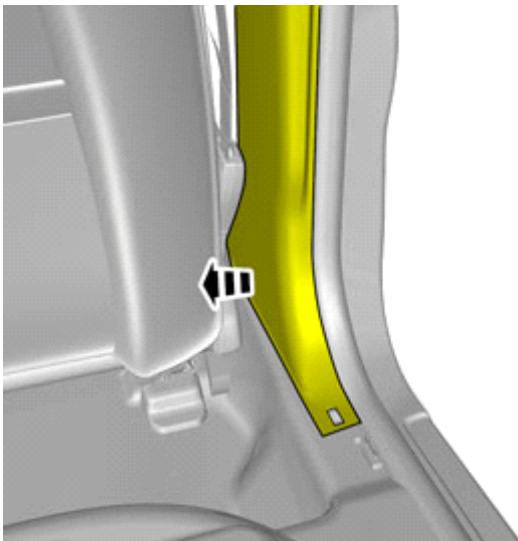
17



Remove the weatherstrips.

IMG-307605

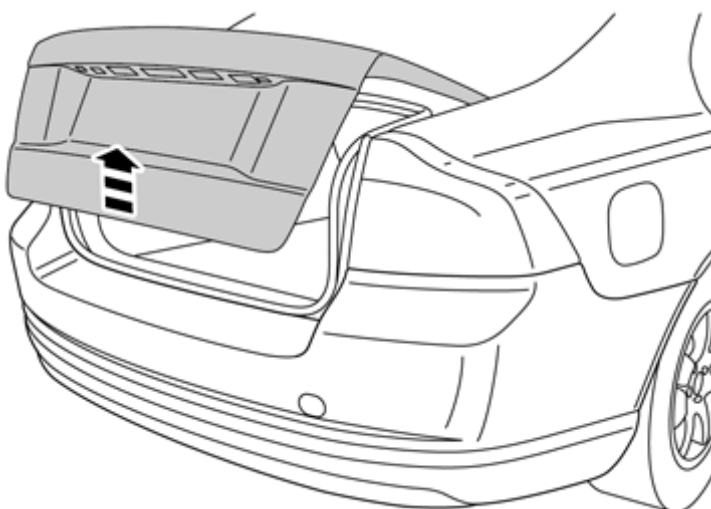
18



Detach the panel.

IMG-378526

19



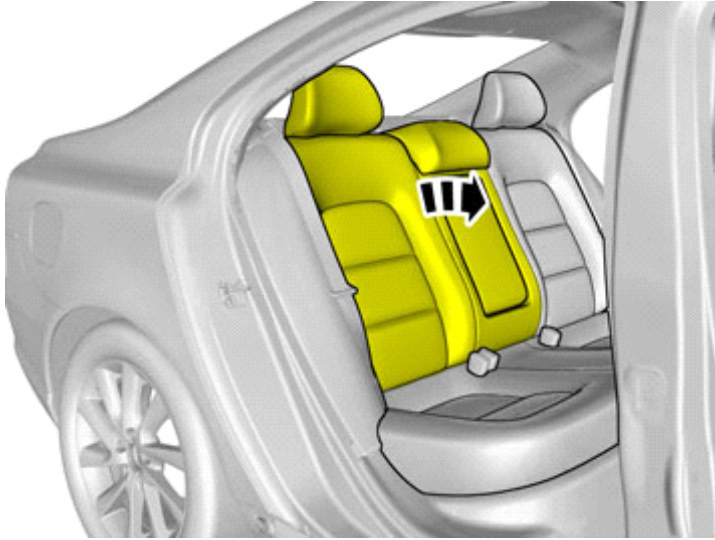
IMG-378335



# Installation instructions, accessories

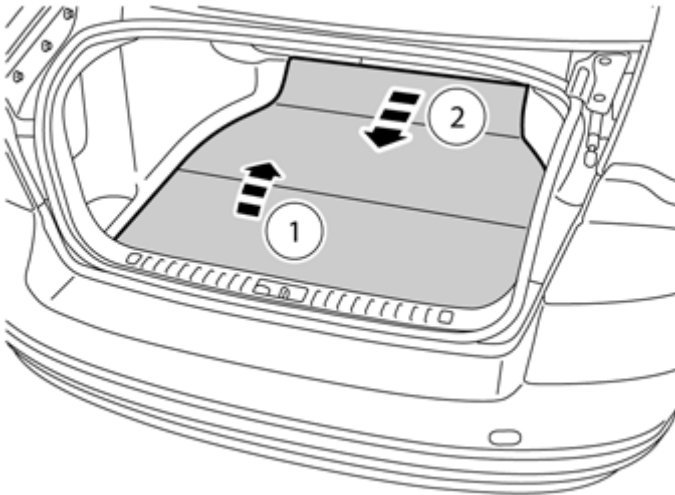
Volvo Car Corporation Gothenburg, Sweden

20



IMG-378954

21



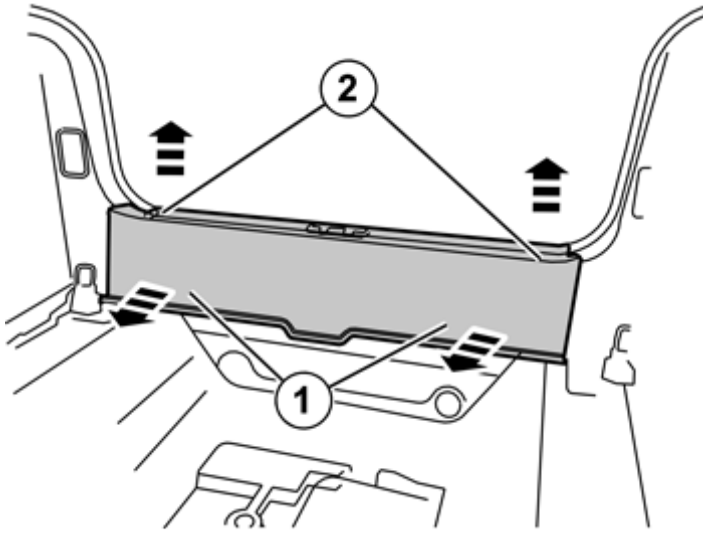
IMG-249177



# Installation instructions, accessories

Volvo Car Corporation Gothenburg, Sweden

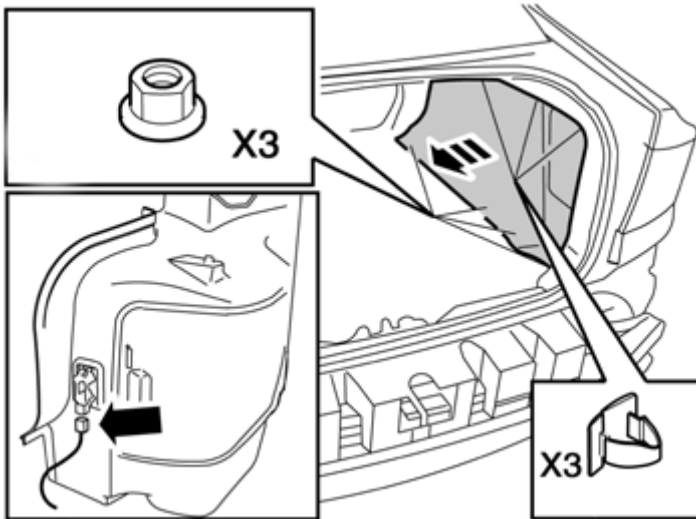
22



IMG-226722

Remove the panel.

23



IMG-255685

Remove the nuts.

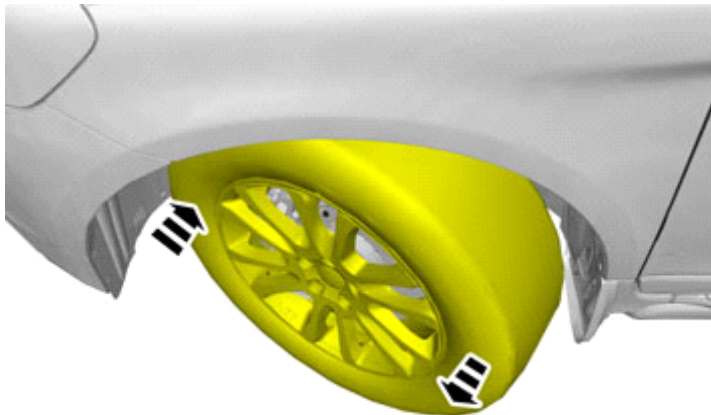
Remove the clips.

Detach the panel.

Disconnect the connector.

Remove the panel.

24



Turn the wheel inwards.

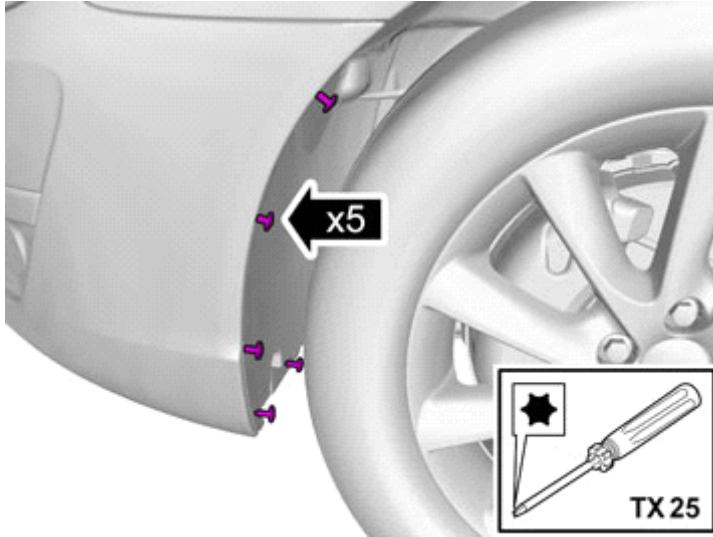
IMG-307623



# Installation instructions, accessories

Volvo Car Corporation Gothenburg, Sweden

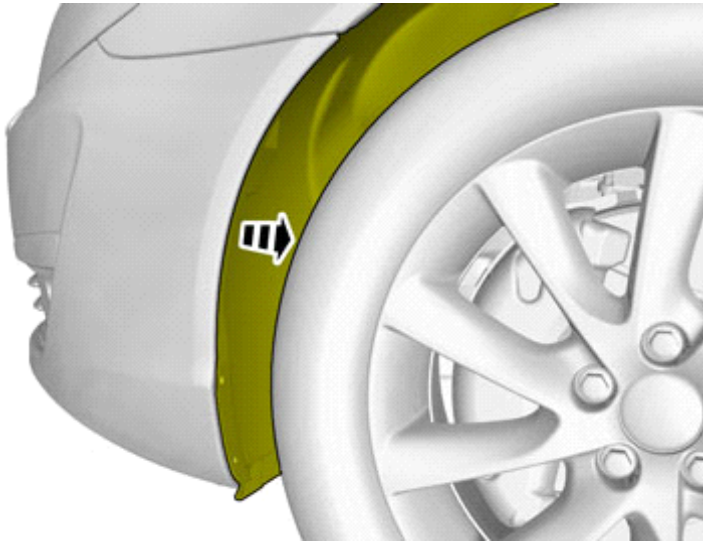
25



IMG-379381

## Vehicles with headlamp washers

26



IMG-379384

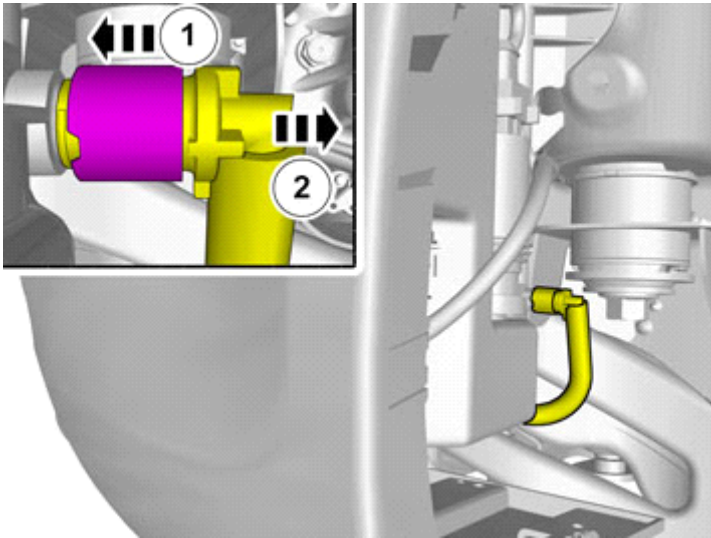
Fold the wing liner to one side.



# Installation instructions, accessories

Volvo Car Corporation Gothenburg, Sweden

27



IMG-378537

Place a container under the car.

Take a piece of washer hose. Tie a knot in it and place it on the washer pump to prevent the washer fluid reservoir from emptying.

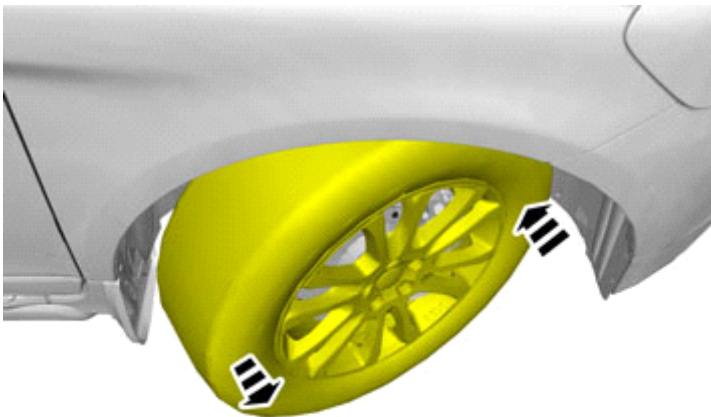
Release the lock.

Remove the hose.

---

**All vehicles**

28



IMG-307627

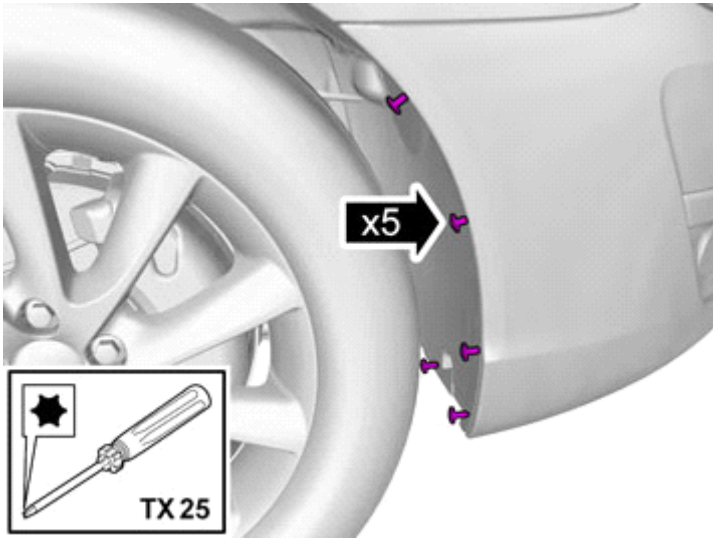
Turn the wheel inwards.



# Installation instructions, accessories

Volvo Car Corporation Gothenburg, Sweden

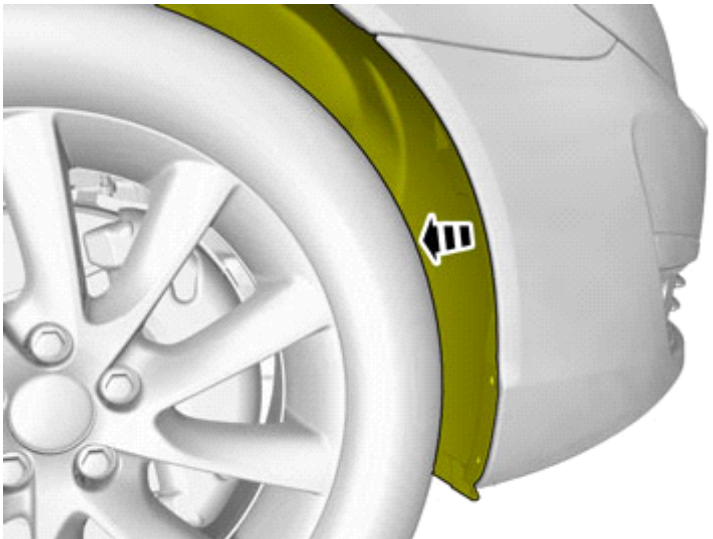
29



IMG-379382

Remove the screws.

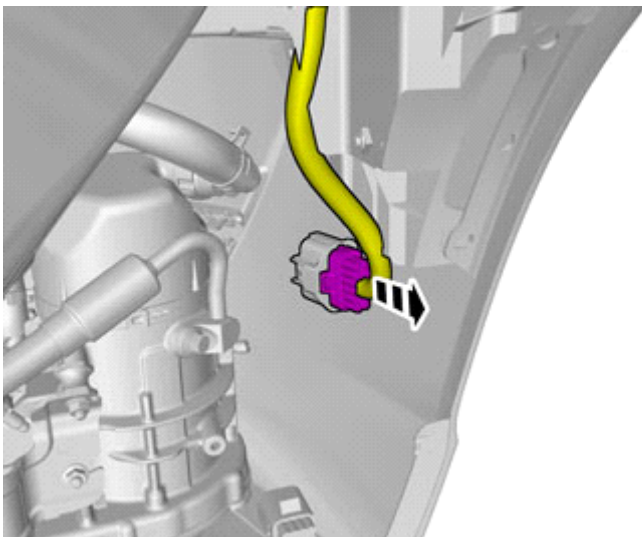
30



IMG-379385

Fold the wing liner to one side.

31



IMG-379380

Disconnect the connector, if applicable.



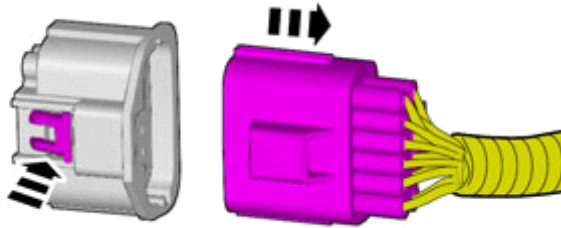
# Installation instructions, accessories

Volvo Car Corporation Gothenburg, Sweden

32

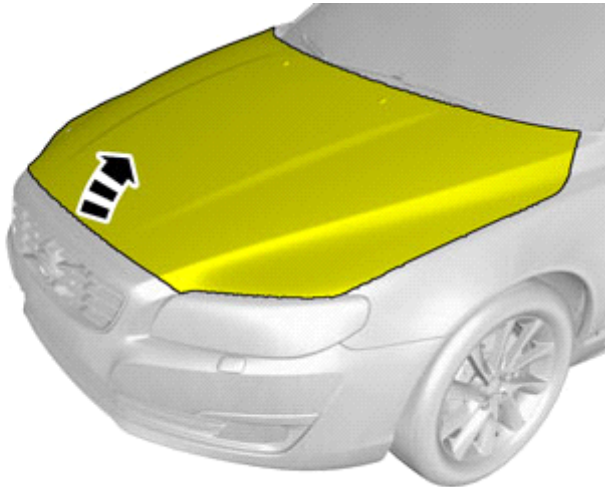
Release the connector's catch.

Disconnect the connector.



IMG-379376

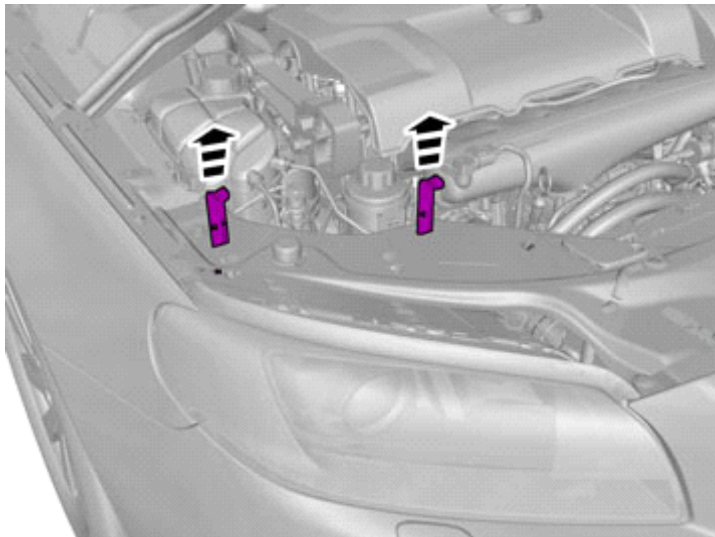
33



IMG-379377

34

RHD: The procedure is carried out on the opposite side.



IMG-353377

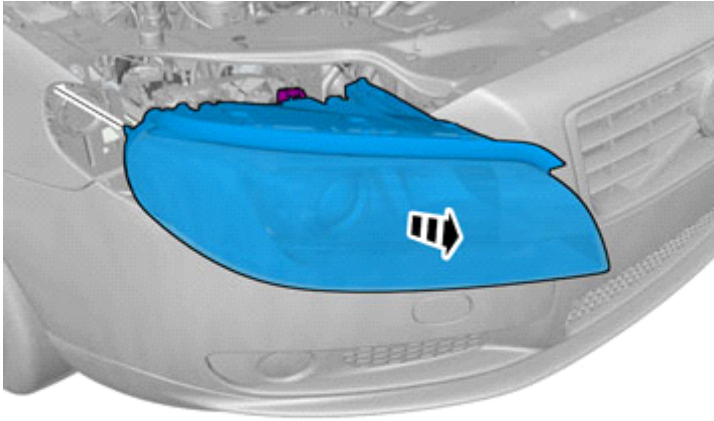




# Installation instructions, accessories

Volvo Car Corporation Gothenburg, Sweden

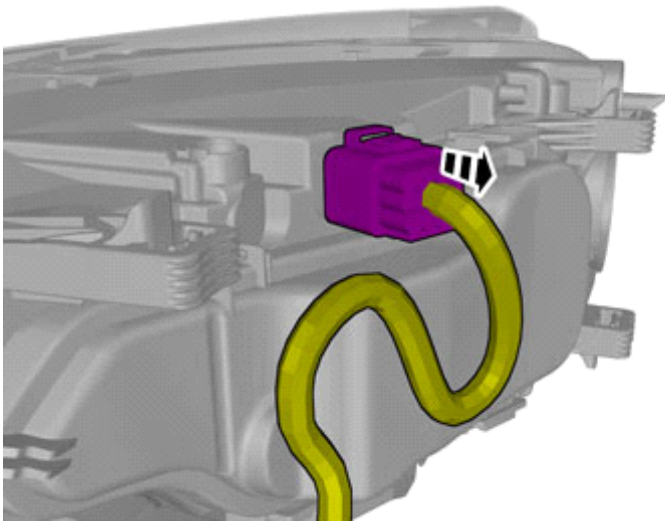
35



RHD: The procedure is carried out on the opposite side.

IMG-353378

36



Disconnect the connector.

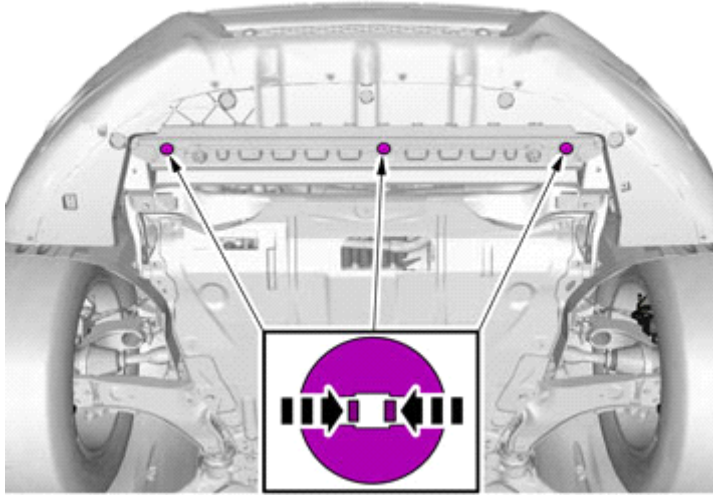
IMG-353381



# Installation instructions, accessories

Volvo Car Corporation Gothenburg, Sweden

37

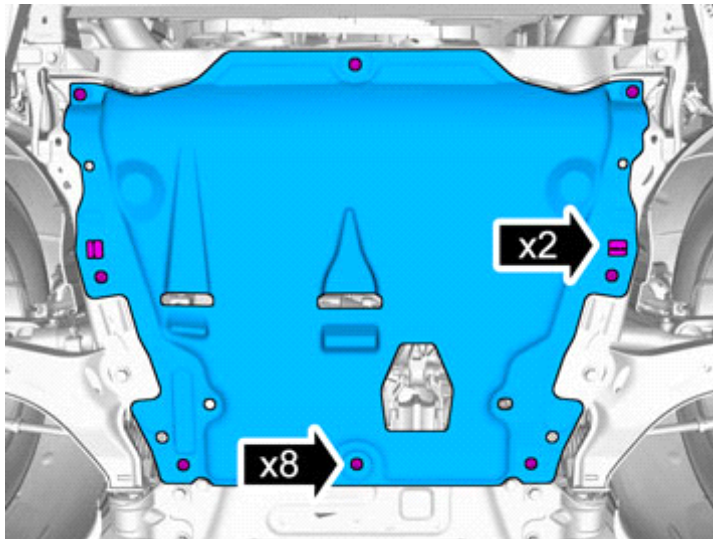


IMG-307689

Raise the car.

Remove the clips.

38

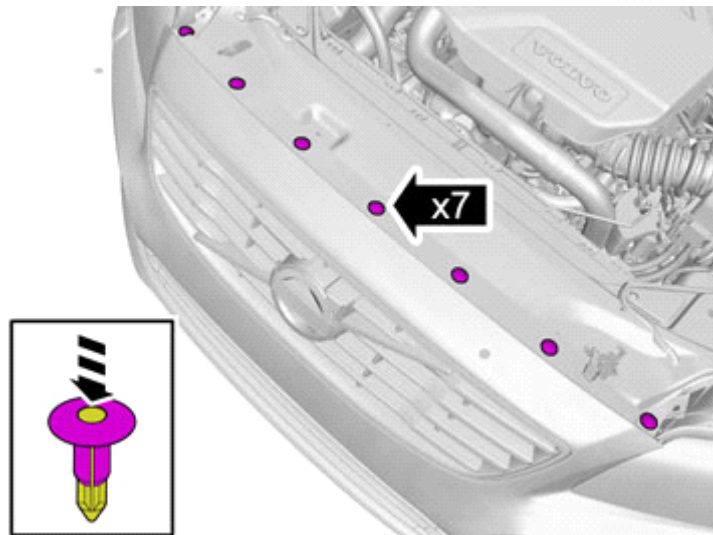


IMG-377609

Remove the clips.

Remove the screws.

39



IMG-379387

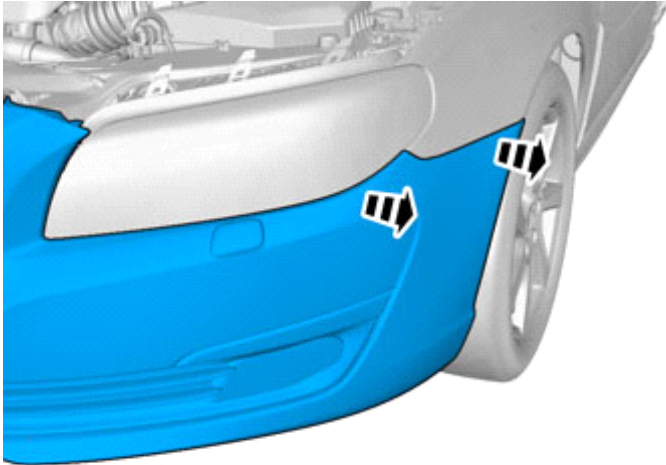
Remove the clips.



# Installation instructions, accessories

Volvo Car Corporation Gothenburg, Sweden

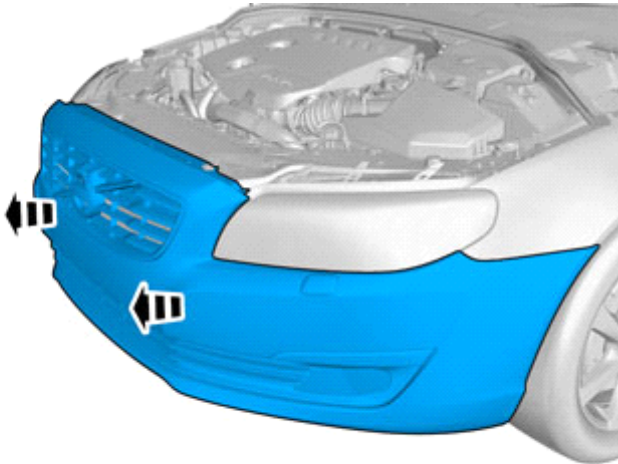
40



Repeat on the other side.

IMG-379394

41



**Caution!**

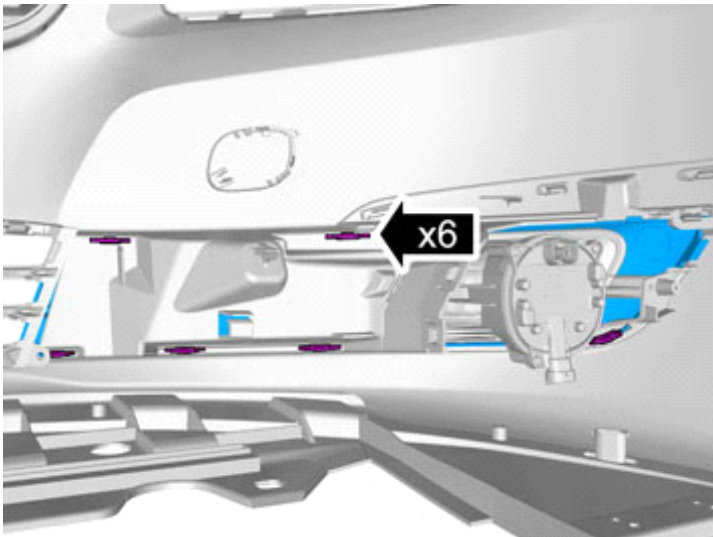
Place the Bumper Cover on a suitable surface.

Request the aid of a colleague for this procedure.

Disconnect the connector for the fog lamp.

IMG-379392

42



Release the catches.

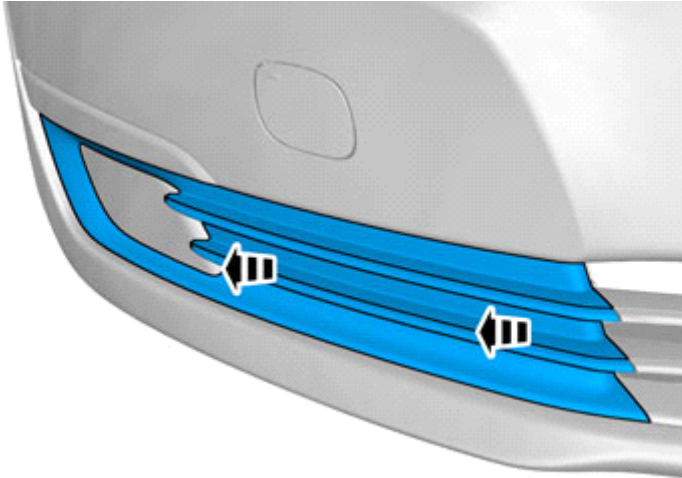
IMG-379406



# Installation instructions, accessories

Volvo Car Corporation Gothenburg, Sweden

43

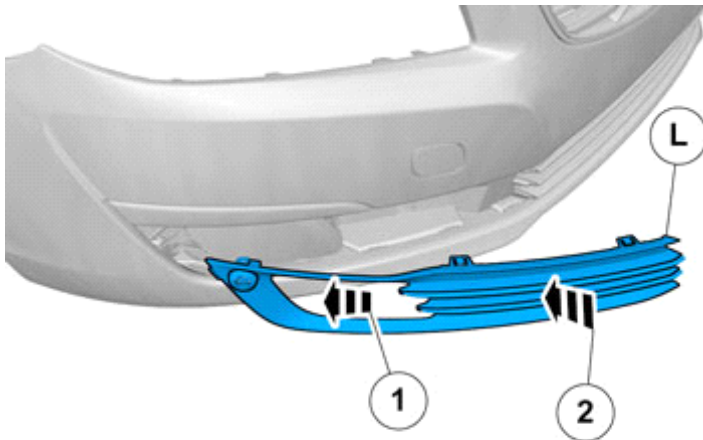


The part is not to be reused.

IMG-379412

## Accessory installation

44



Repeat on the other side.

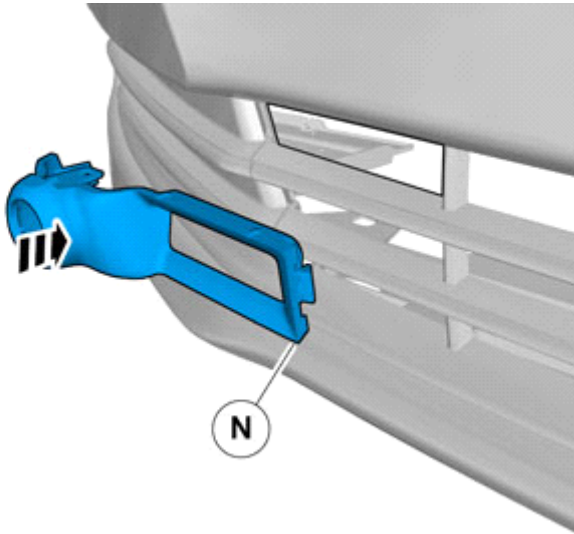
IMG-379413



# Installation instructions, accessories

Volvo Car Corporation Gothenburg, Sweden

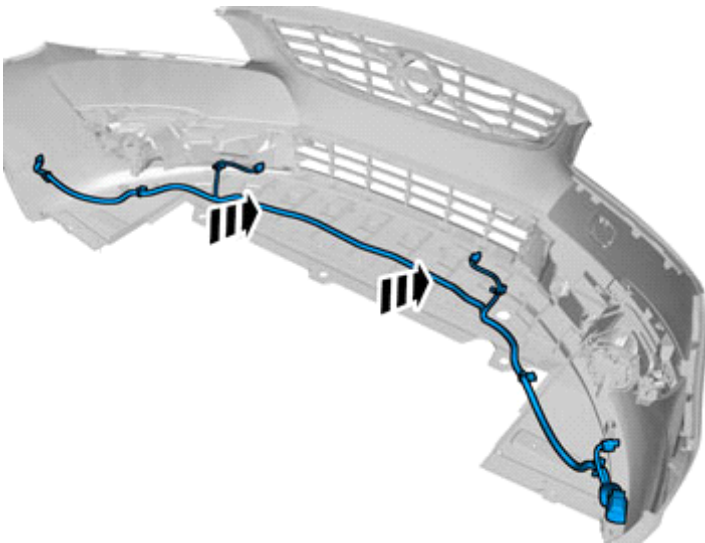
45



Repeat on the other side.

IMG-379416

46

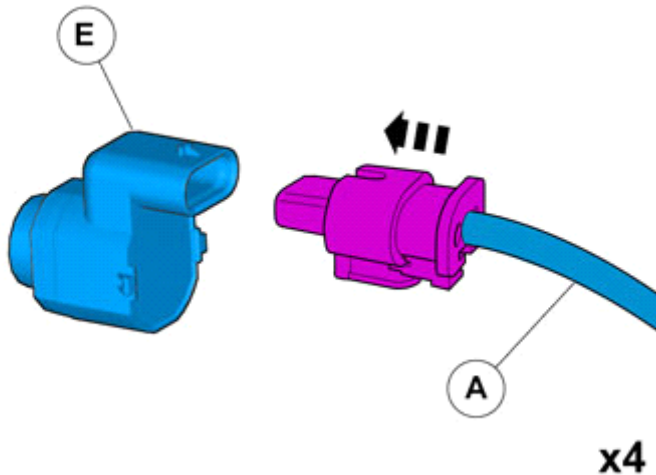


Put the wiring in the Bumper cover without installing the wiring.

RHD: The cable harness is positioned mirrored.

IMG-379418

47



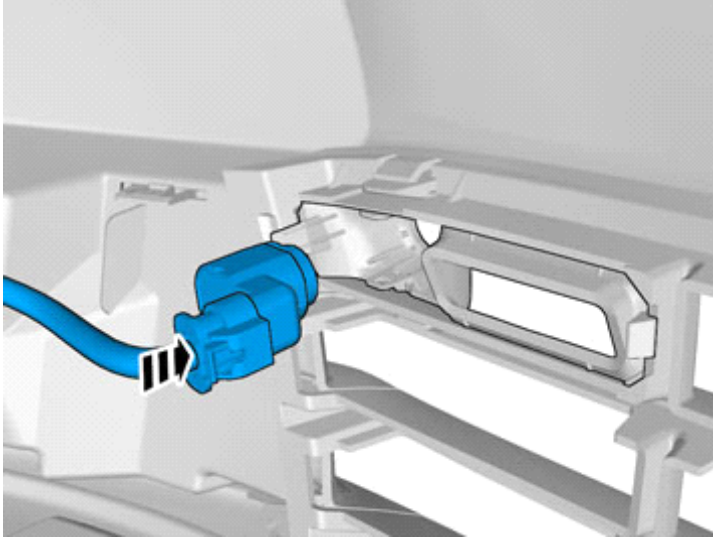
IMG-379419



# Installation instructions, accessories

Volvo Car Corporation Gothenburg, Sweden

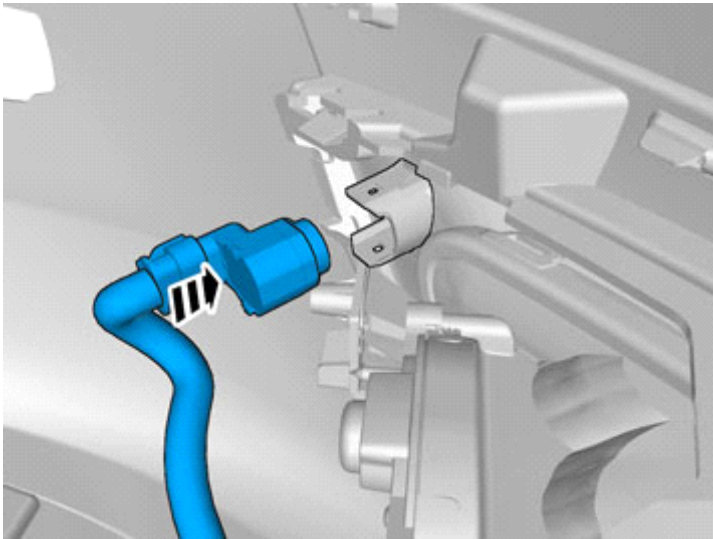
48



IMG-379420

Repeat on the other side.

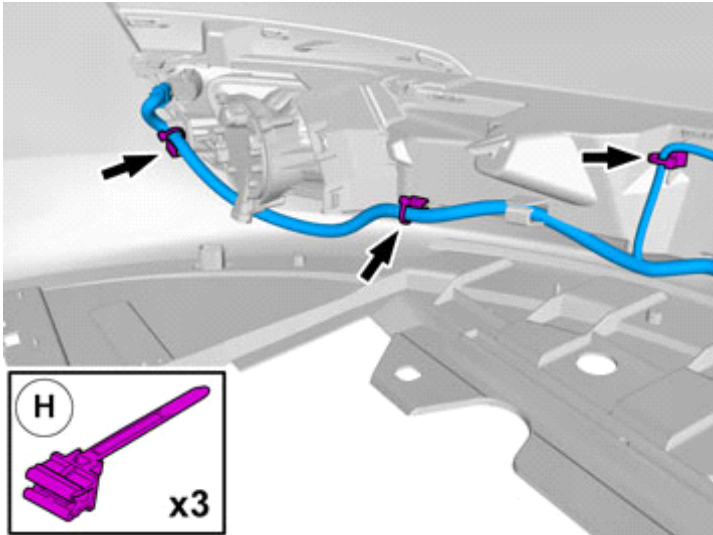
49



IMG-379421

Repeat on the other side.

50



IMG-379422

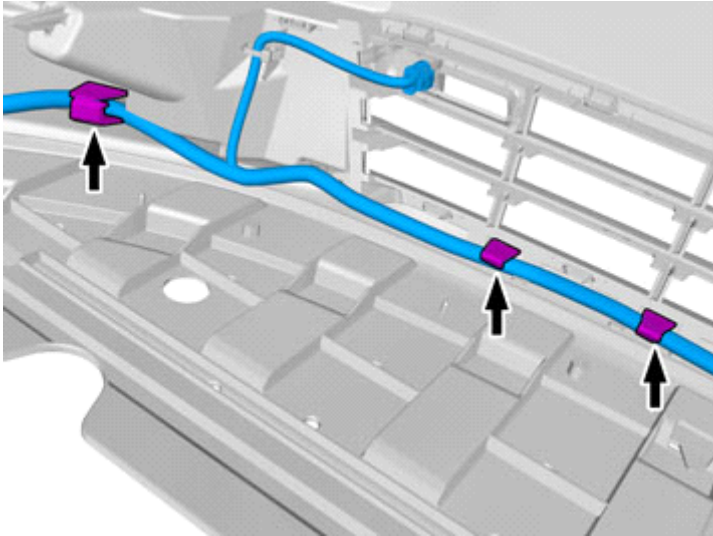
Repeat on the other side.



# Installation instructions, accessories

Volvo Car Corporation Gothenburg, Sweden

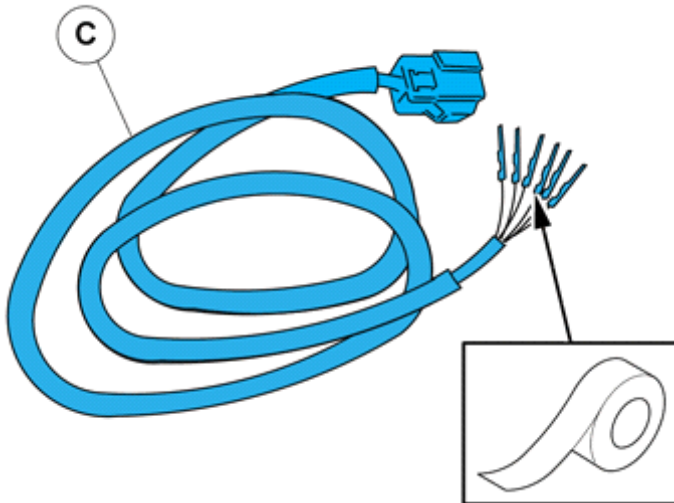
51



IMG-379436

Repeat on the other side.

52



IMG-378325

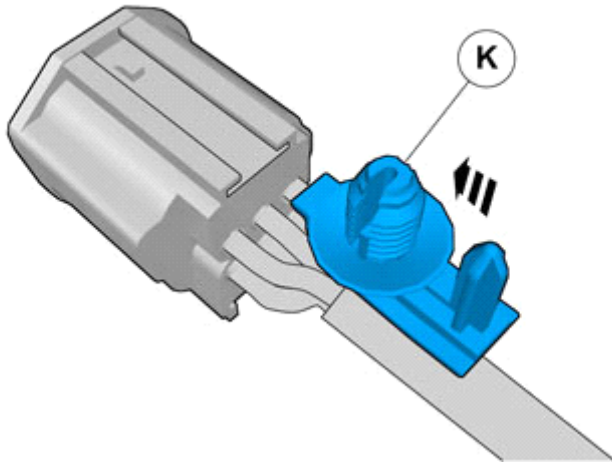
**Use:** , Electrical tape



# Installation instructions, accessories

Volvo Car Corporation Gothenburg, Sweden

53



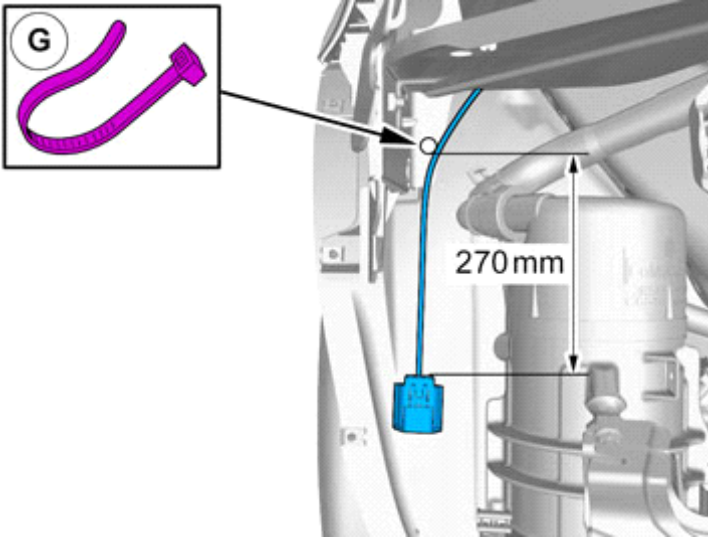
IMG-379484

---

## Left hand drive vehicles

---

54



IMG-379467

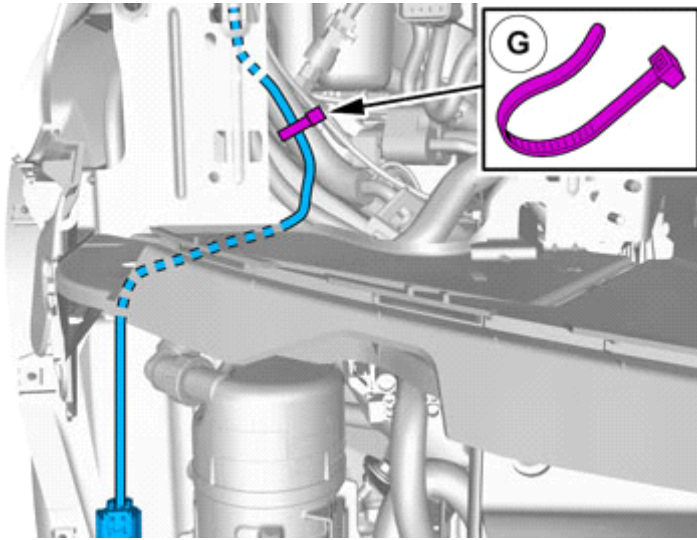




# Installation instructions, accessories

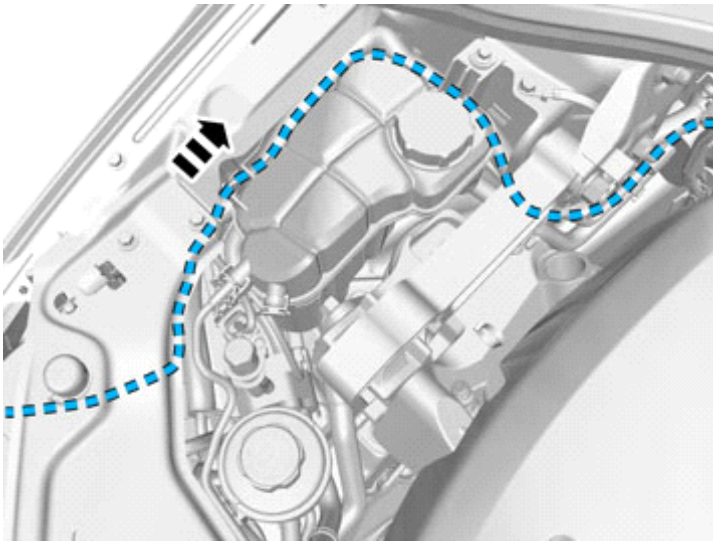
Volvo Car Corporation Gothenburg, Sweden

55



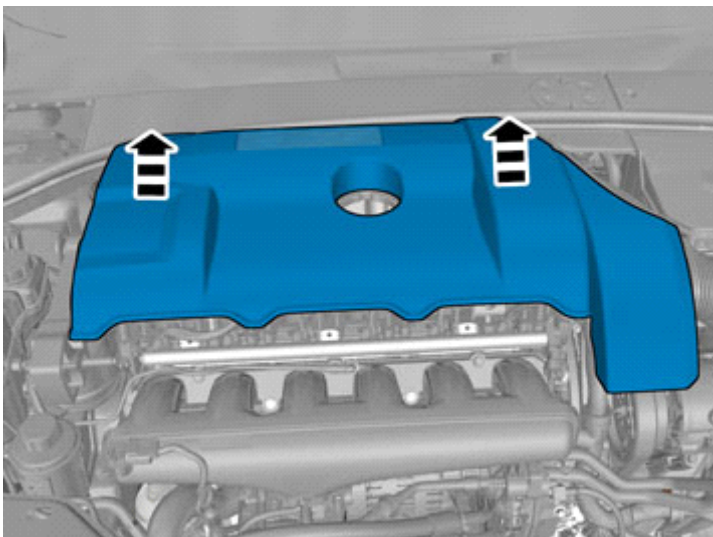
IMG-379477

56



IMG-379479

57



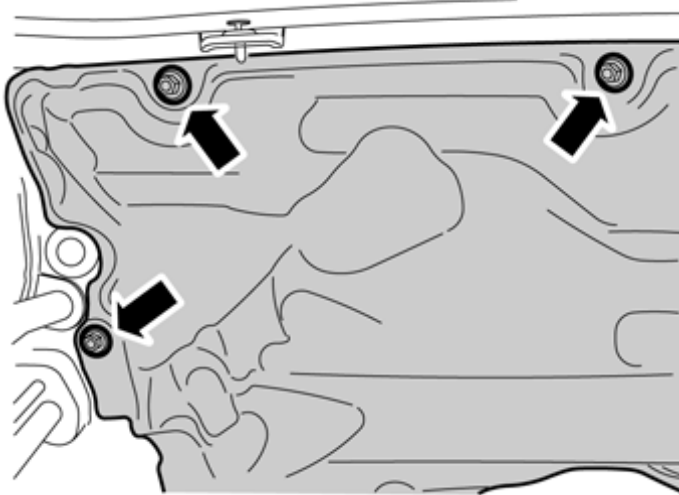
IMG-273585



# Installation instructions, accessories

Volvo Car Corporation Gothenburg, Sweden

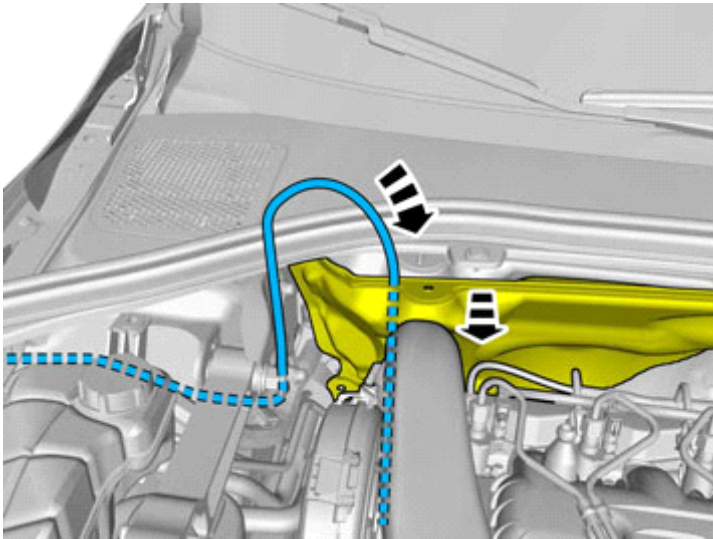
58



Remove the nuts.

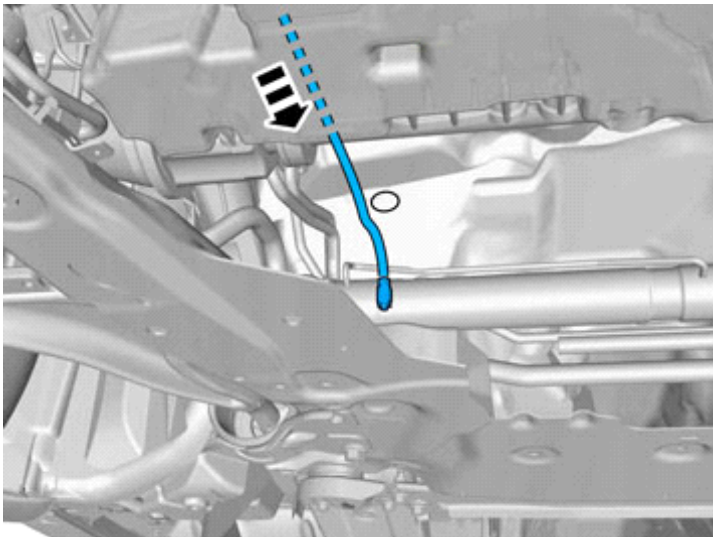
IMG-273586

59



IMG-378517

60



Pull the wiring through.

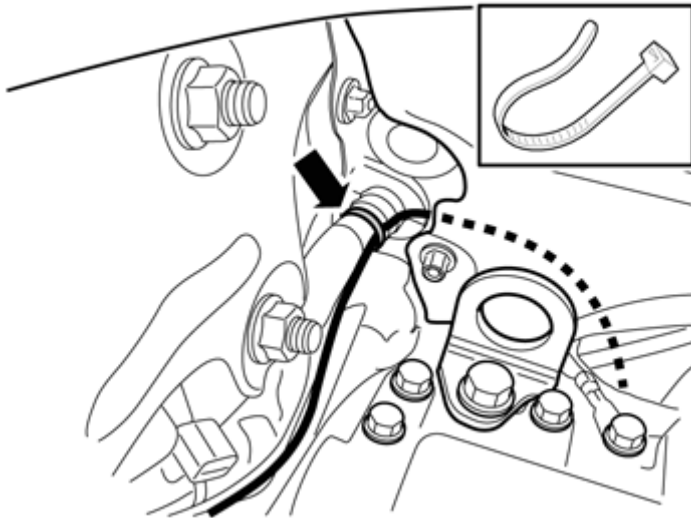
IMG-378516



# Installation instructions, accessories

Volvo Car Corporation Gothenburg, Sweden

61

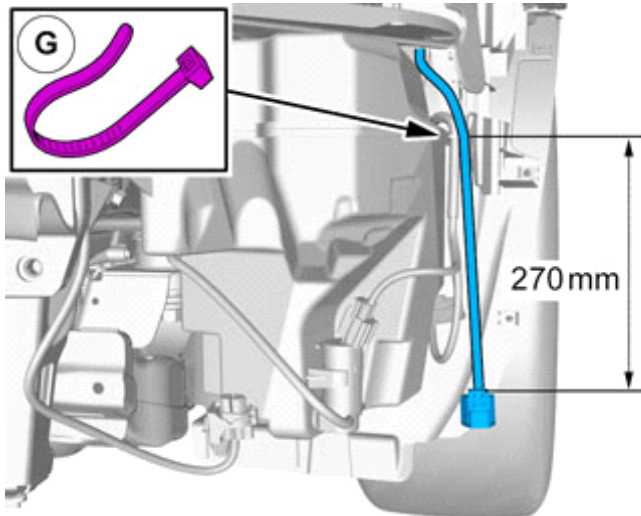


Install the cable.

IMG-273588

**Right-hand drive vehicles**

62



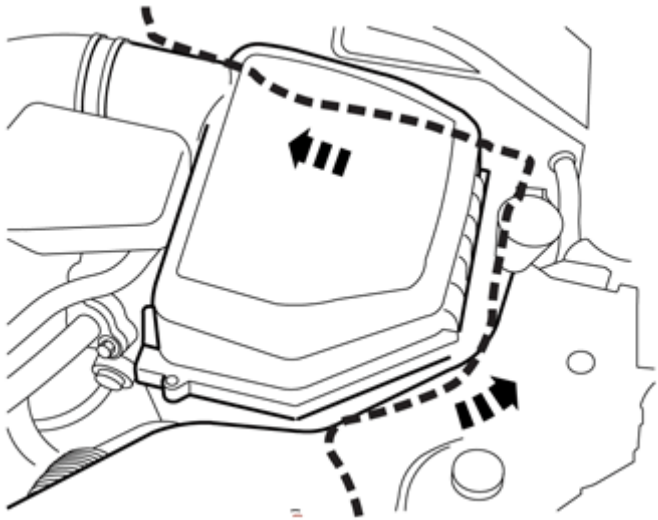
IMG-379480



# Installation instructions, accessories

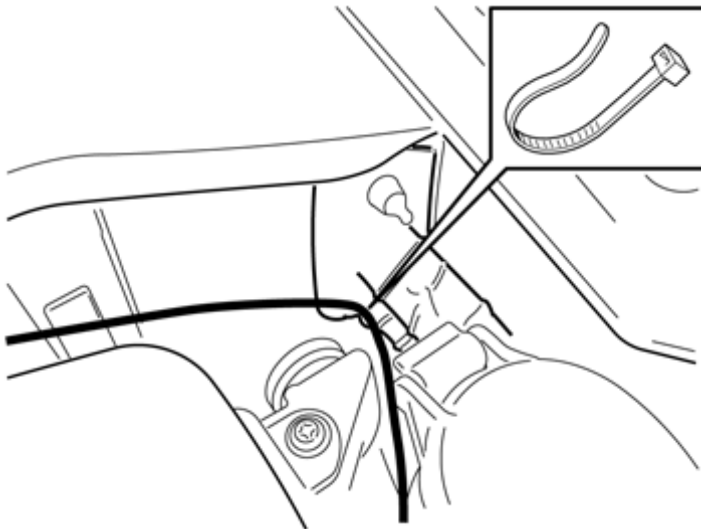
Volvo Car Corporation Gothenburg, Sweden

63



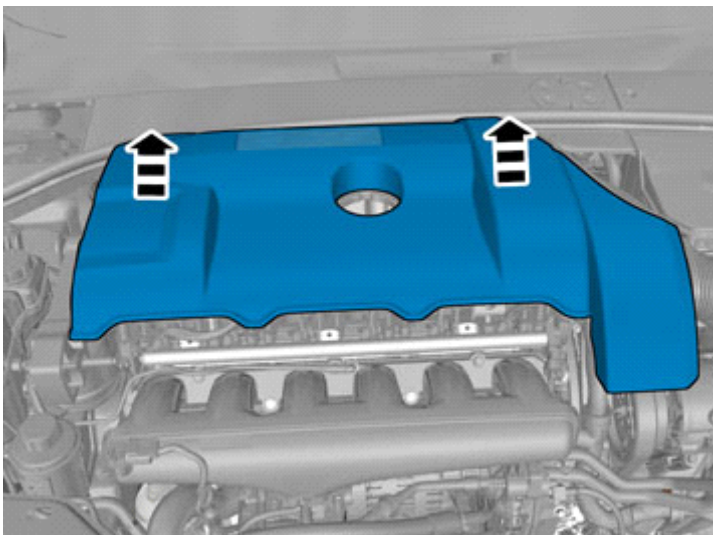
IMG-307910

64



IMG-307911

65



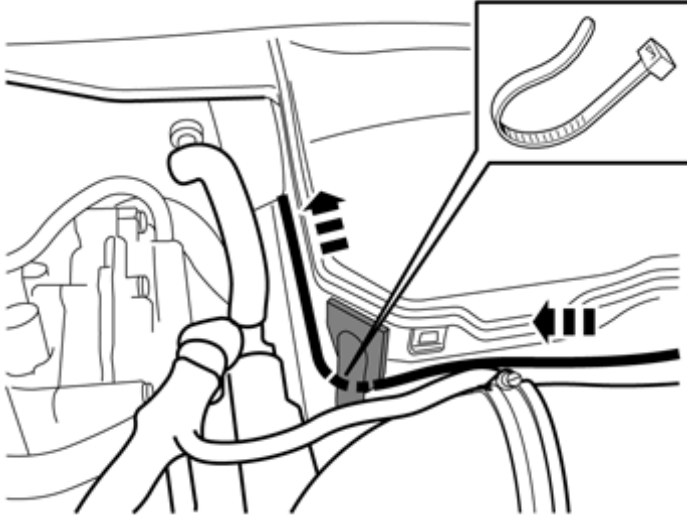
IMG-273585



# Installation instructions, accessories

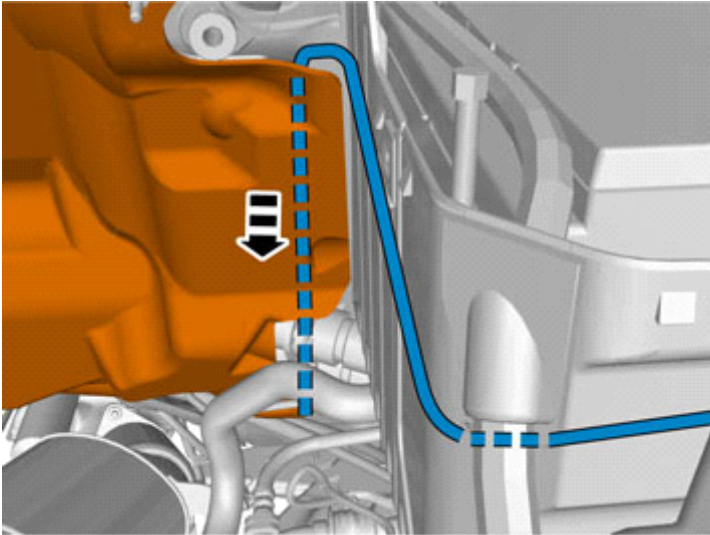
Volvo Car Corporation Gothenburg, Sweden

66



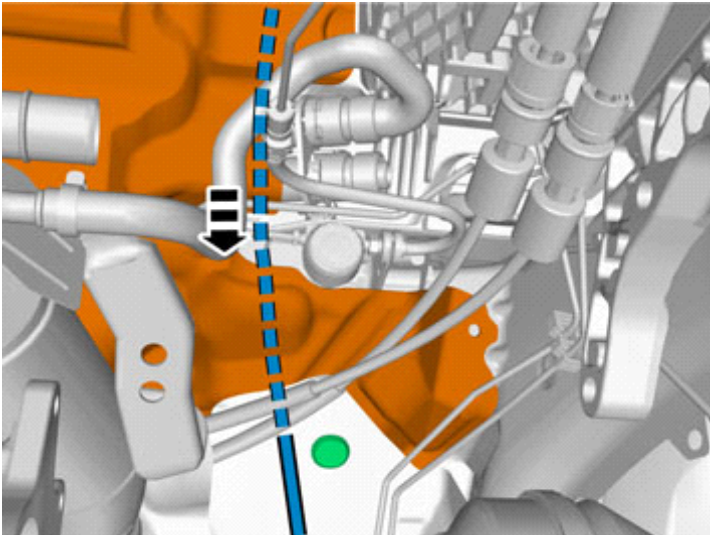
IMG-307912

67



IMG-307913

68



IMG-307914

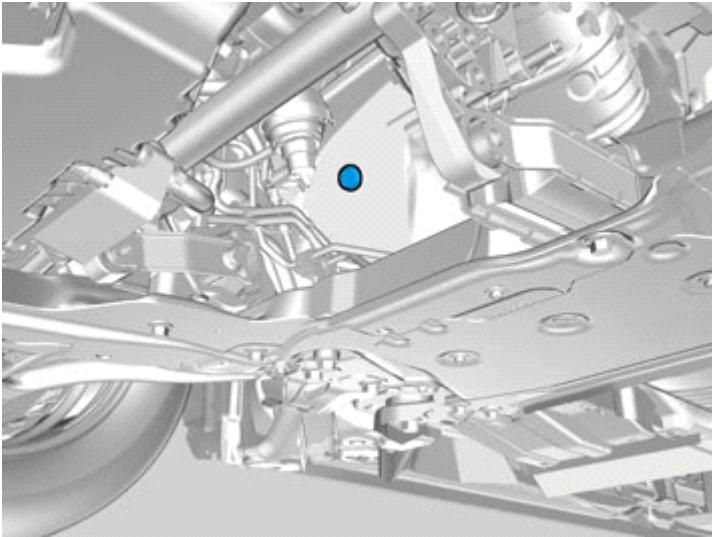


# Installation instructions, accessories

Volvo Car Corporation Gothenburg, Sweden

All vehicles

69



IMG-345879

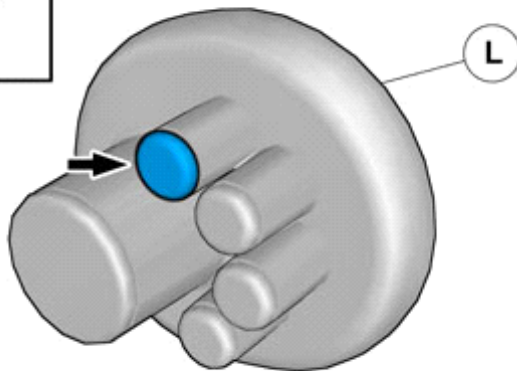
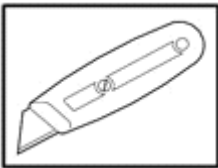
**Note!**

Orientation view

**Note!**

On some markets the rubber grommet may be covered by the heat shield.

70



IMG-377670

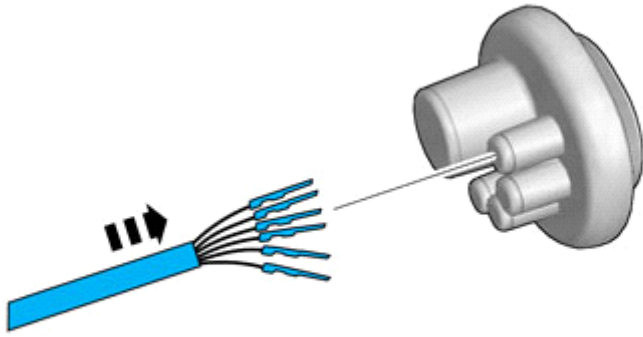


# Installation instructions, accessories

Volvo Car Corporation Gothenburg, Sweden

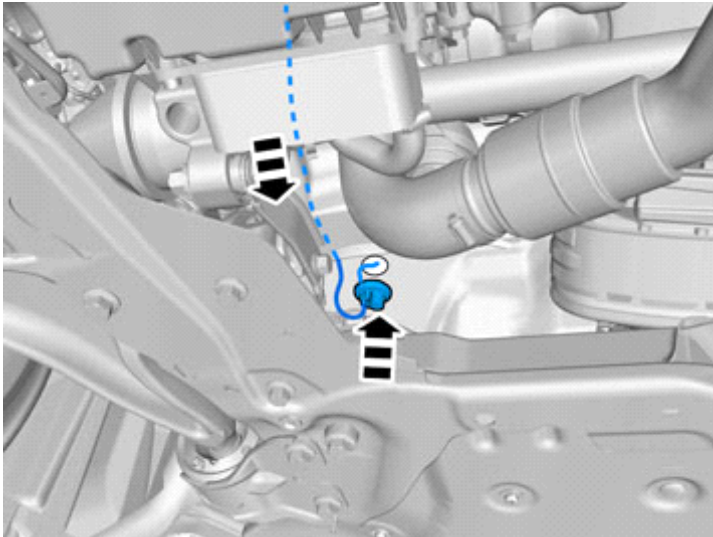
71

Pull the wiring through.



IMG-377675

72



IMG-340544

Insert the cable in to the passenger compartment, adjust the cable length out into the engine compartment and secure the rubber grommet.

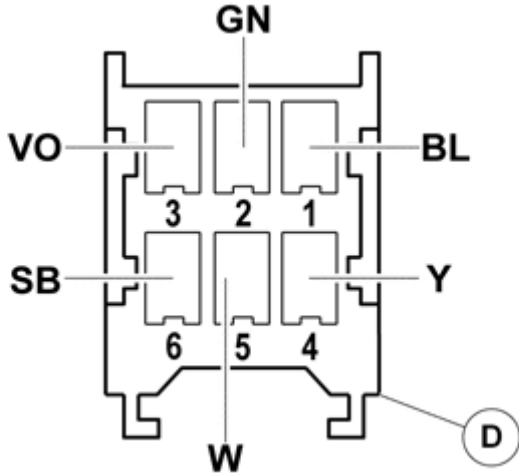
**Left hand drive vehicles**



# Installation instructions, accessories

Volvo Car Corporation Gothenburg, Sweden

73



IMG-377671

Remove the tape.

Release the connector's secondary lock.

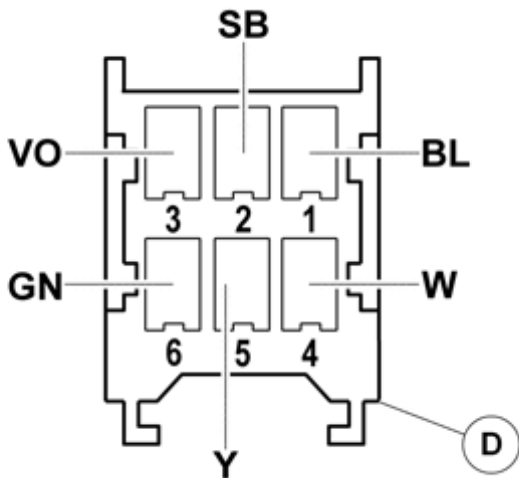
Connect the pre-routed cables to the 6-pin connector.

Depress the secondary lock.

---

## Right-hand drive vehicles

74



IMG-377672

Remove the tape.

Release the connector's secondary lock.

Connect the pre-routed cables to the 6-pin connector.

Depress the secondary lock.

---

## All vehicles

---

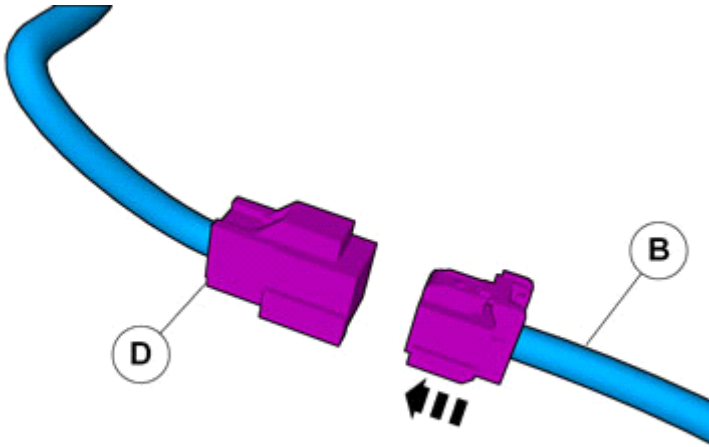




# Installation instructions, accessories

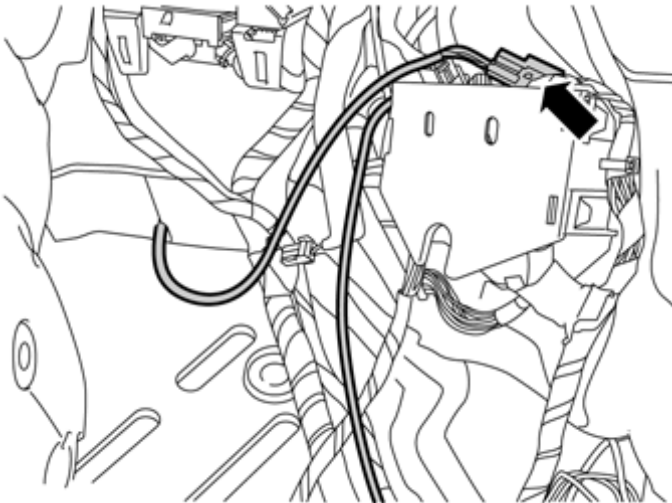
Volvo Car Corporation Gothenburg, Sweden

75



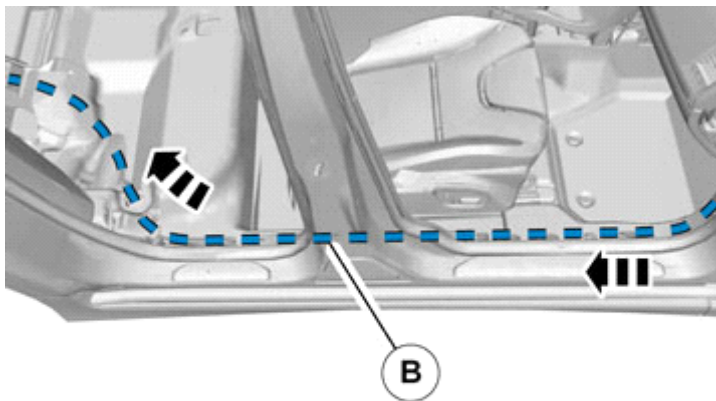
IMG-377673

76



IMG-249181

77



IMG-377674

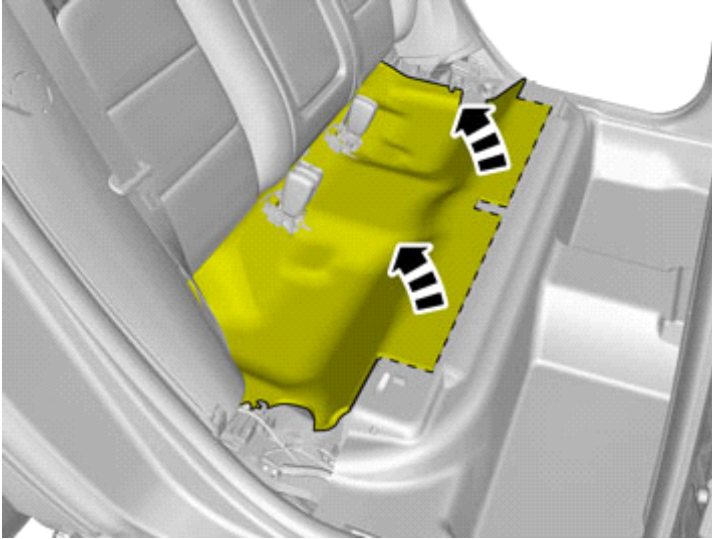


# Installation instructions, accessories

Volvo Car Corporation Gothenburg, Sweden

## Right-hand drive vehicles

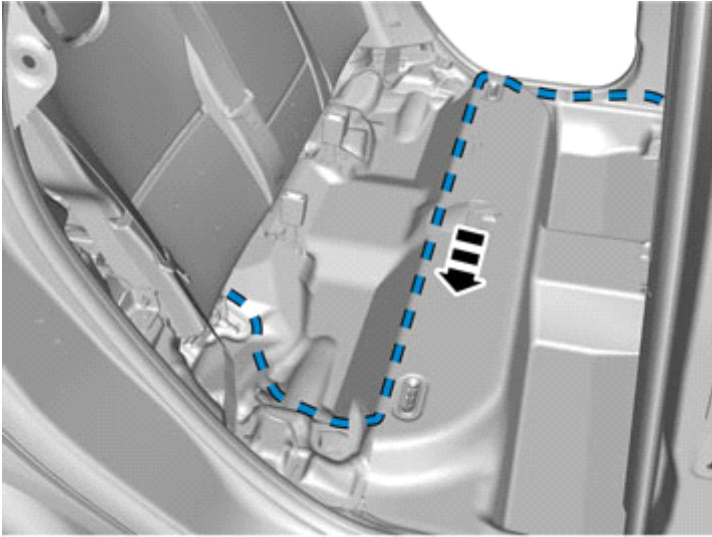
78



IMG-358746

Fold the insulation to one side.

79



IMG-308083

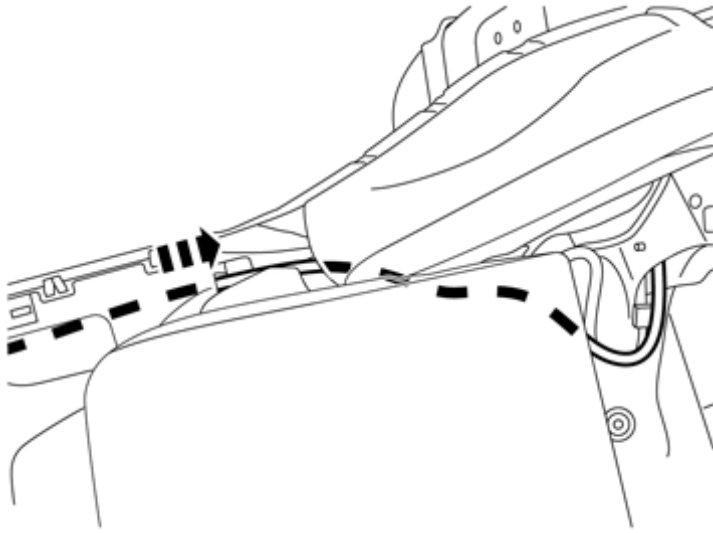
## All vehicles



# Installation instructions, accessories

Volvo Car Corporation Gothenburg, Sweden

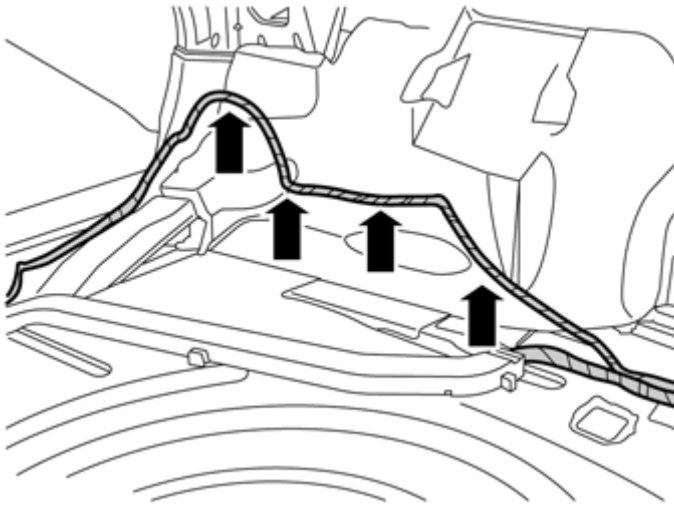
80



IMG-379482

Route the cable harness to the existing cable harness.

81

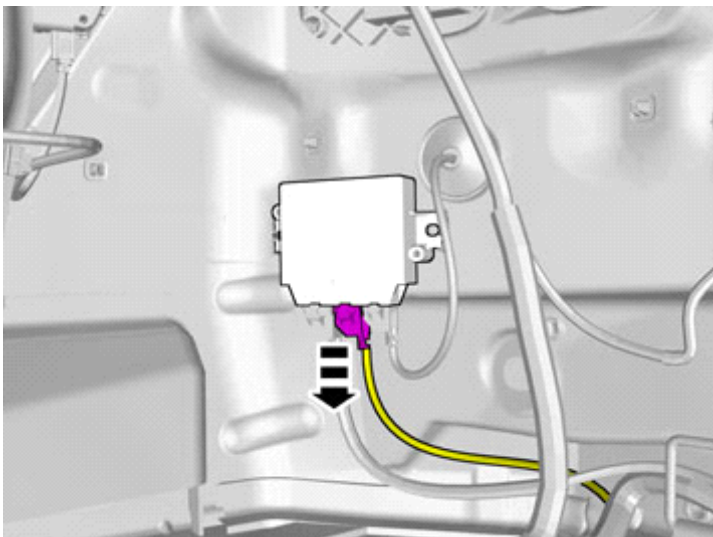


IMG-249184

Route the cable harness to the existing cable harness.

Install the cable.

82



IMG-378500

Disconnect the connector, if applicable.

Attach the connector to the wiring harness.

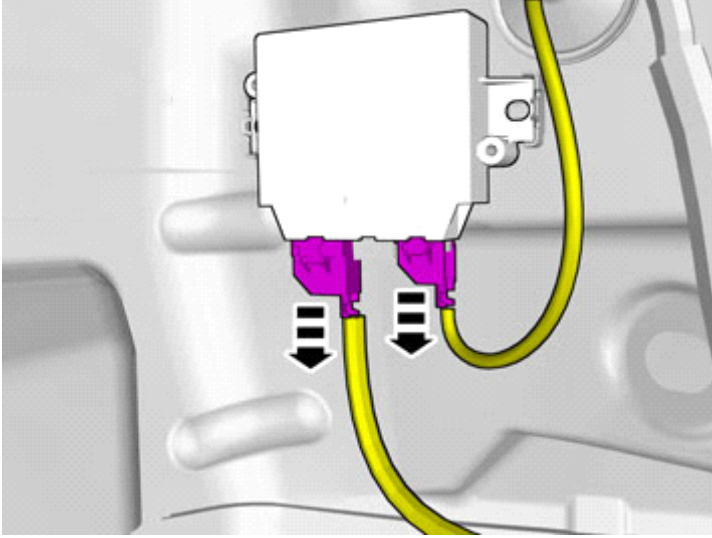
**Use:** , Electrical tape



# Installation instructions, accessories

Volvo Car Corporation Gothenburg, Sweden

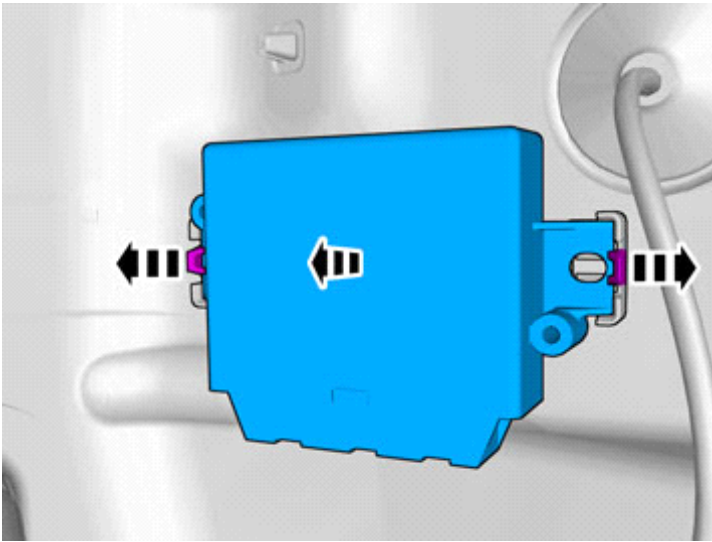
83



IMG-378501

Disconnect the connectors.

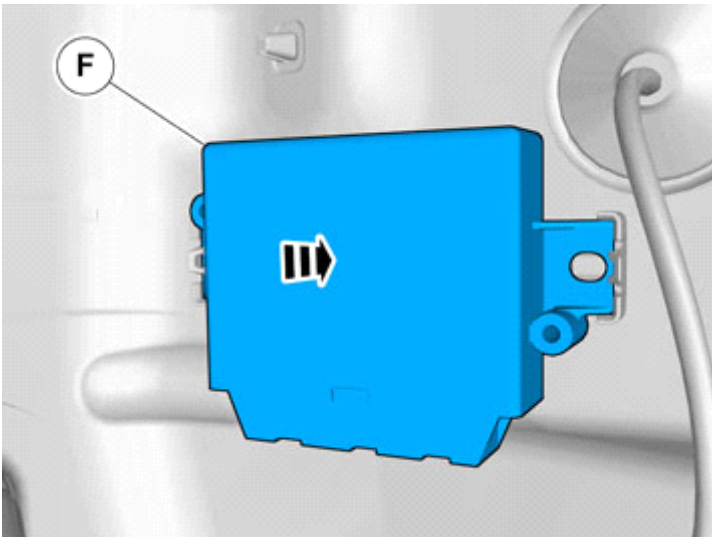
84



IMG-378503

The part is not to be reused.

85



IMG-378502

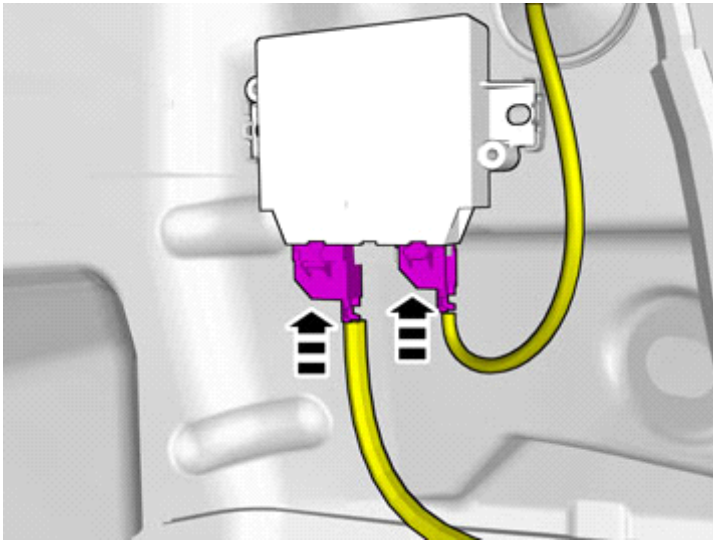
Install component that comes with the accessory kit.



# Installation instructions, accessories

Volvo Car Corporation Gothenburg, Sweden

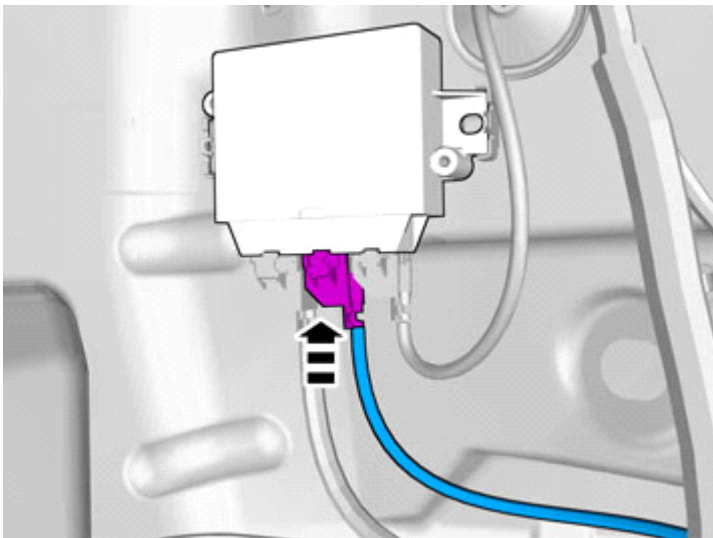
86



IMG-378504

Connect the connectors.

87



IMG-378505

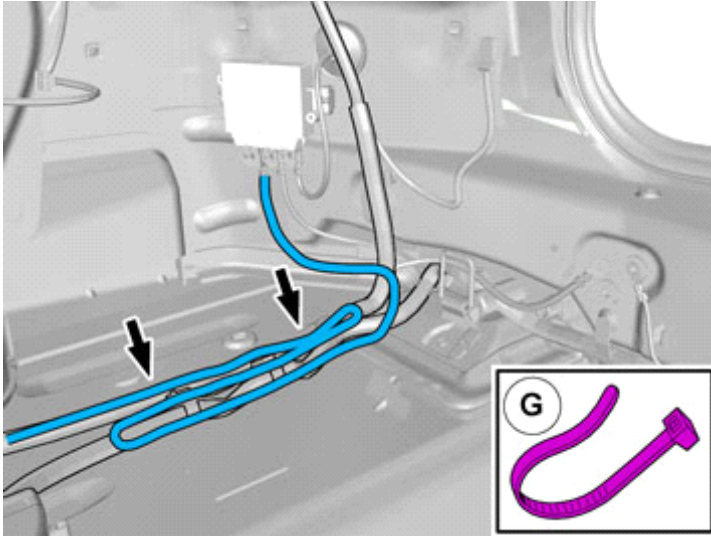
Connect the prerouted cable.



# Installation instructions, accessories

Volvo Car Corporation Gothenburg, Sweden

88



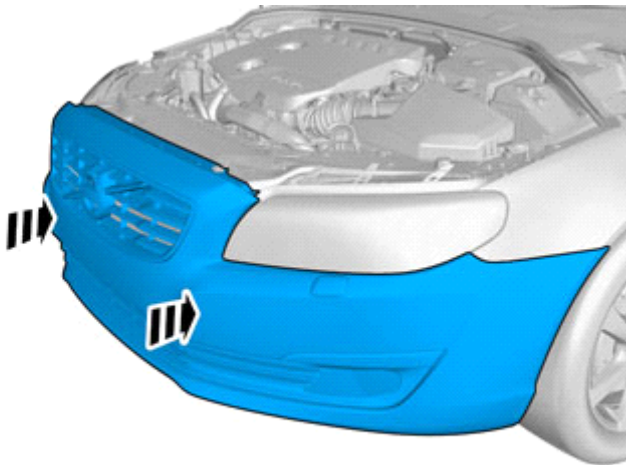
IMG-378508

Attach any excess wire to the wiring harness.

---

## Installation

89



IMG-379403

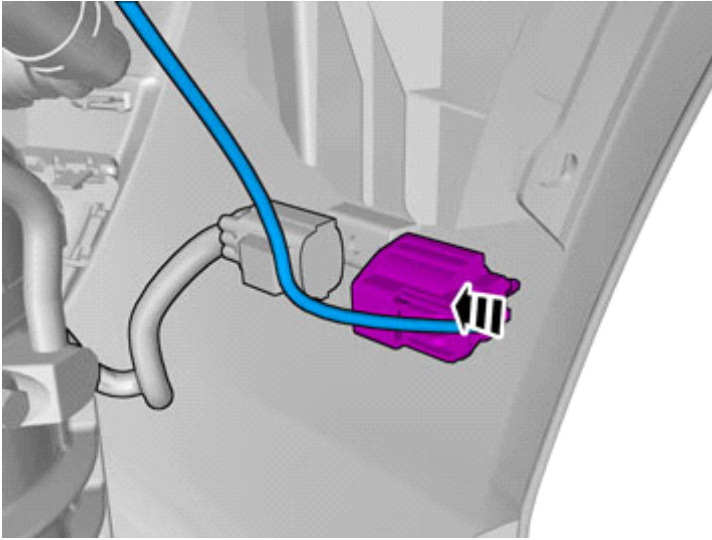
Place the Bumper Cover in position for installation.



# Installation instructions, accessories

Volvo Car Corporation Gothenburg, Sweden

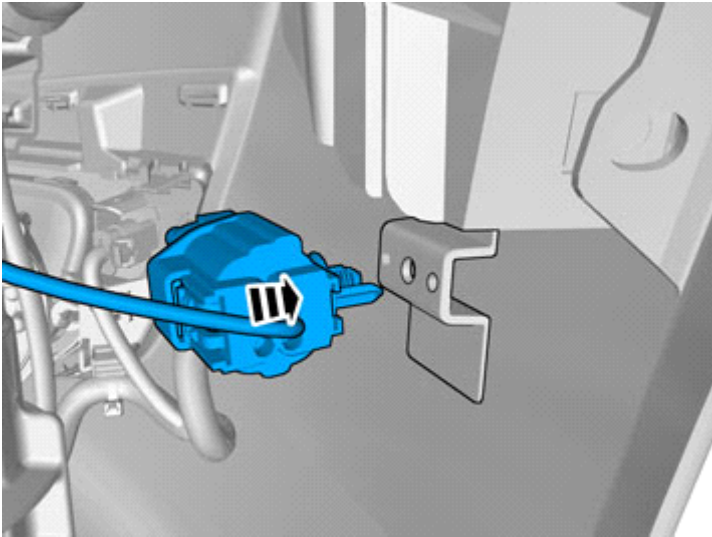
90



IMG-379492

Connect the connector.

91



IMG-379489

92

Reinstall the removed parts in reverse order.

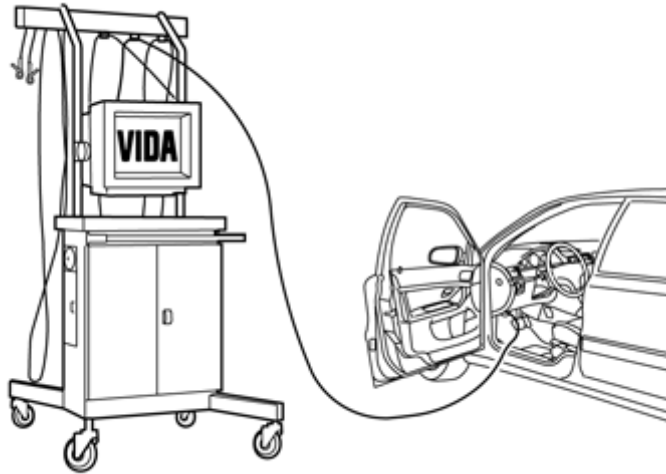
IMG-377070



# Installation instructions, accessories

Volvo Car Corporation Gothenburg, Sweden

93



IMG-242268

Download software (application) for the accessory's function according to the service information in VIDA.

**Order and download software according to: 30765568**